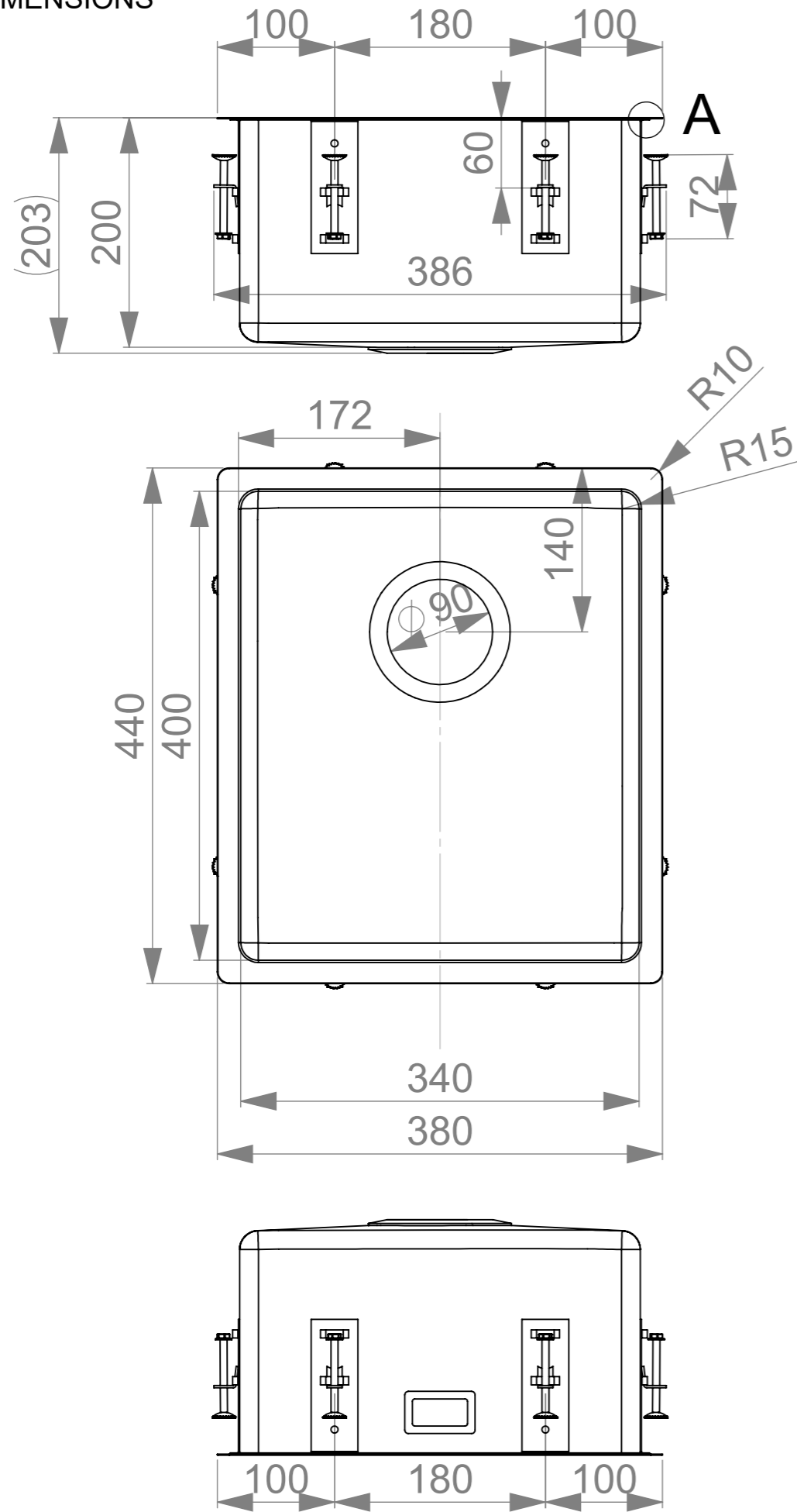
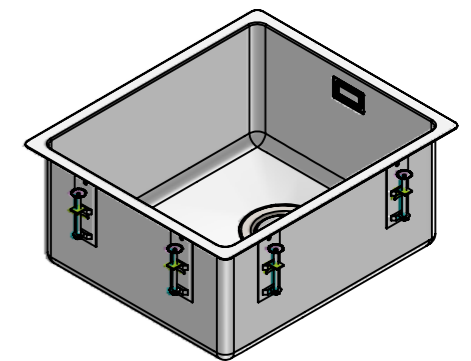
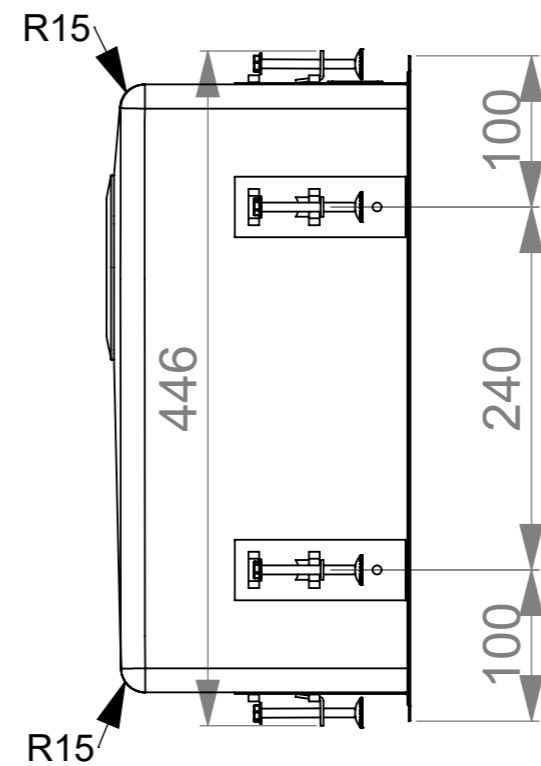
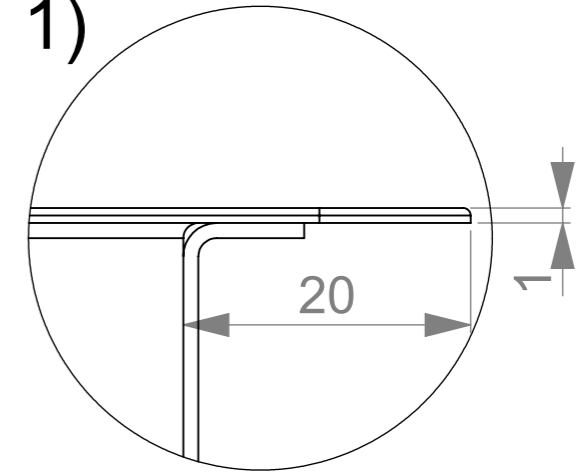


MAIN DIMENSIONS



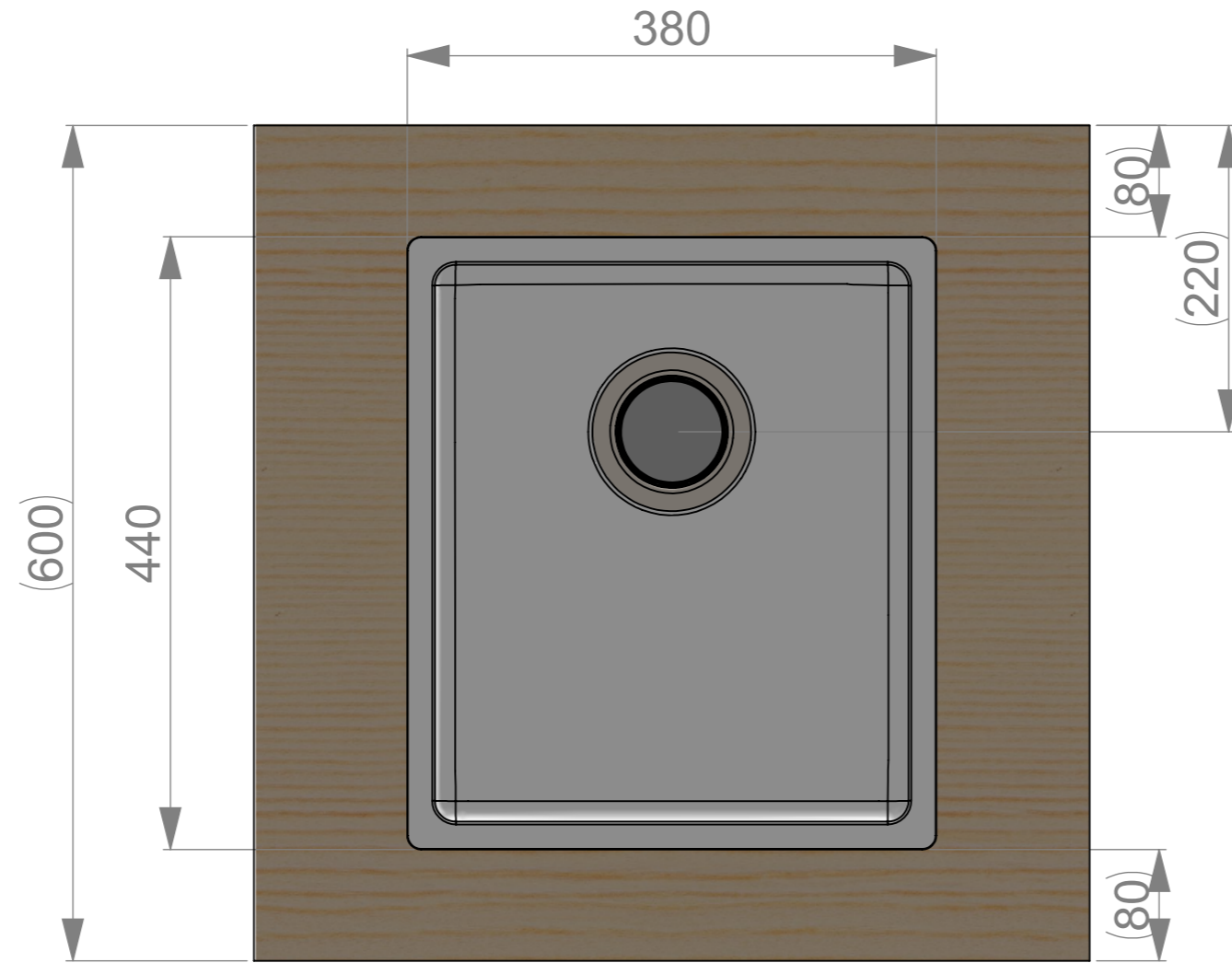
Mono edge
A (2 : 1)



	Mass	General tolerance	Designed by	Date
	kg		VS	24.01.2019
 www.stala.com	Size	Item	Checked by	Date
	A3	1:5		
Description LAGOM-34 Technical Data Sheet			Drawing number	Sheet/sheets
			18154	1/6
			Rev	A

Change description	Date	Designed by
	17.09.2019	VS

WORKTOP ASSEMBLY



Change description

Date
17.09.2019

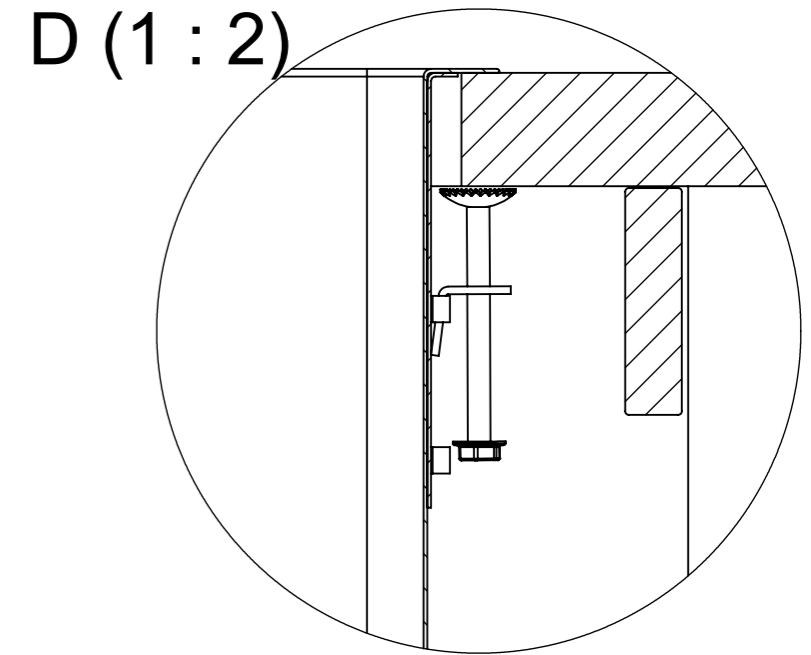
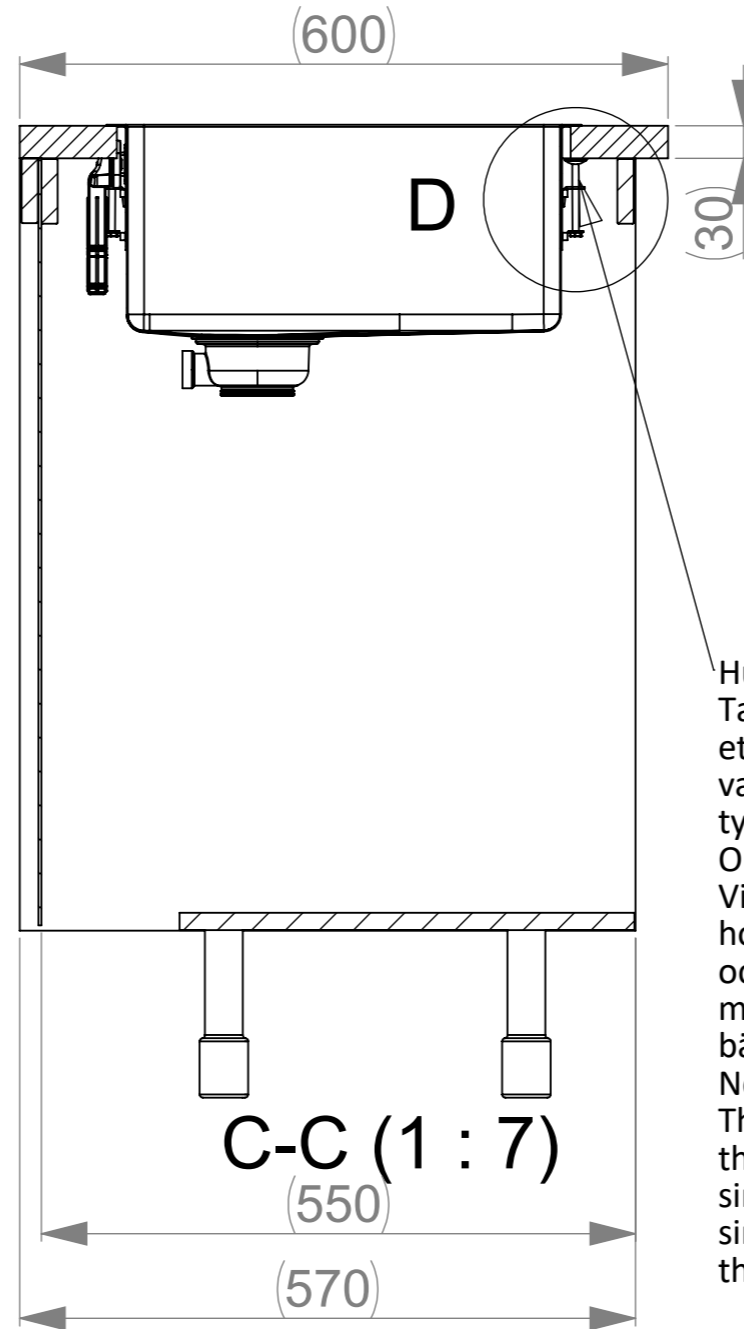
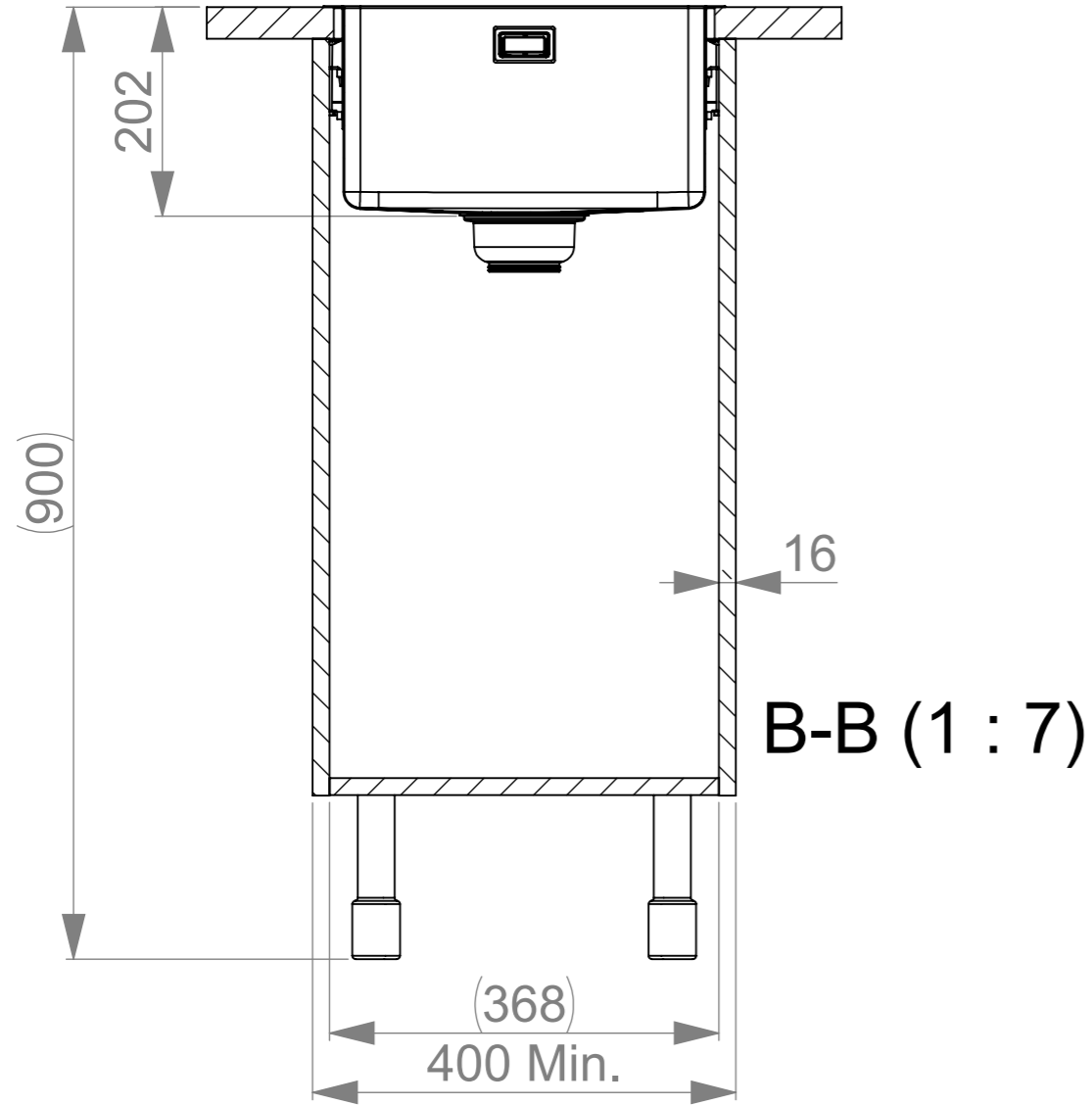
Designed by
VS

	Mass	kg	General tolerance	Designed by	Date
	Size	Scale	Item	VS	24.01.2019
 www.stala.com	A3	1:5	Description	Checked by	Date
			LAGOM-34	Drawing number	Sheet/sheets
			Technical Data Sheet	18154	2/6
				Rev	A

SPACE REQUIREMENTS

Change description

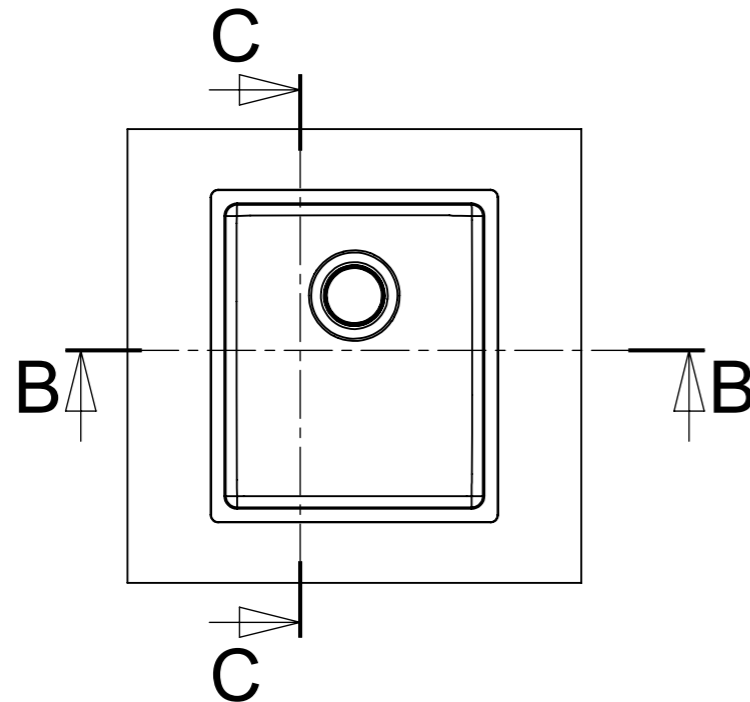
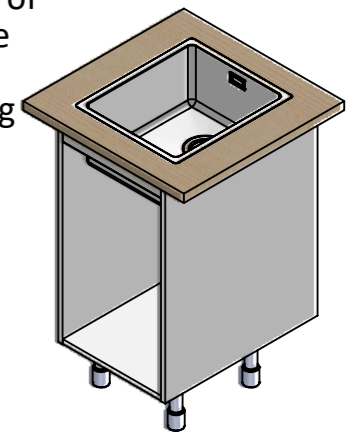
Date 17.09.2019
Designed by VS



Huom!
Tarvittaessa kaapin väliseinää ja etu/takalistaa lovetettava kiinnikkeitä varten ja pesuallas on kiinnitettävä ennen työtason asennusta.

Obs!
Vid behov måste en inskärning för hofästena göras i skåpets mellanvägg och förbindningslist och diskbänken måste fästas innan du monterar bänkskivan.

Notice!
The partition walls and front/back list of the cupboard must be notched for the sink mountings when needed and the sink must be fastened before installing the worktop.



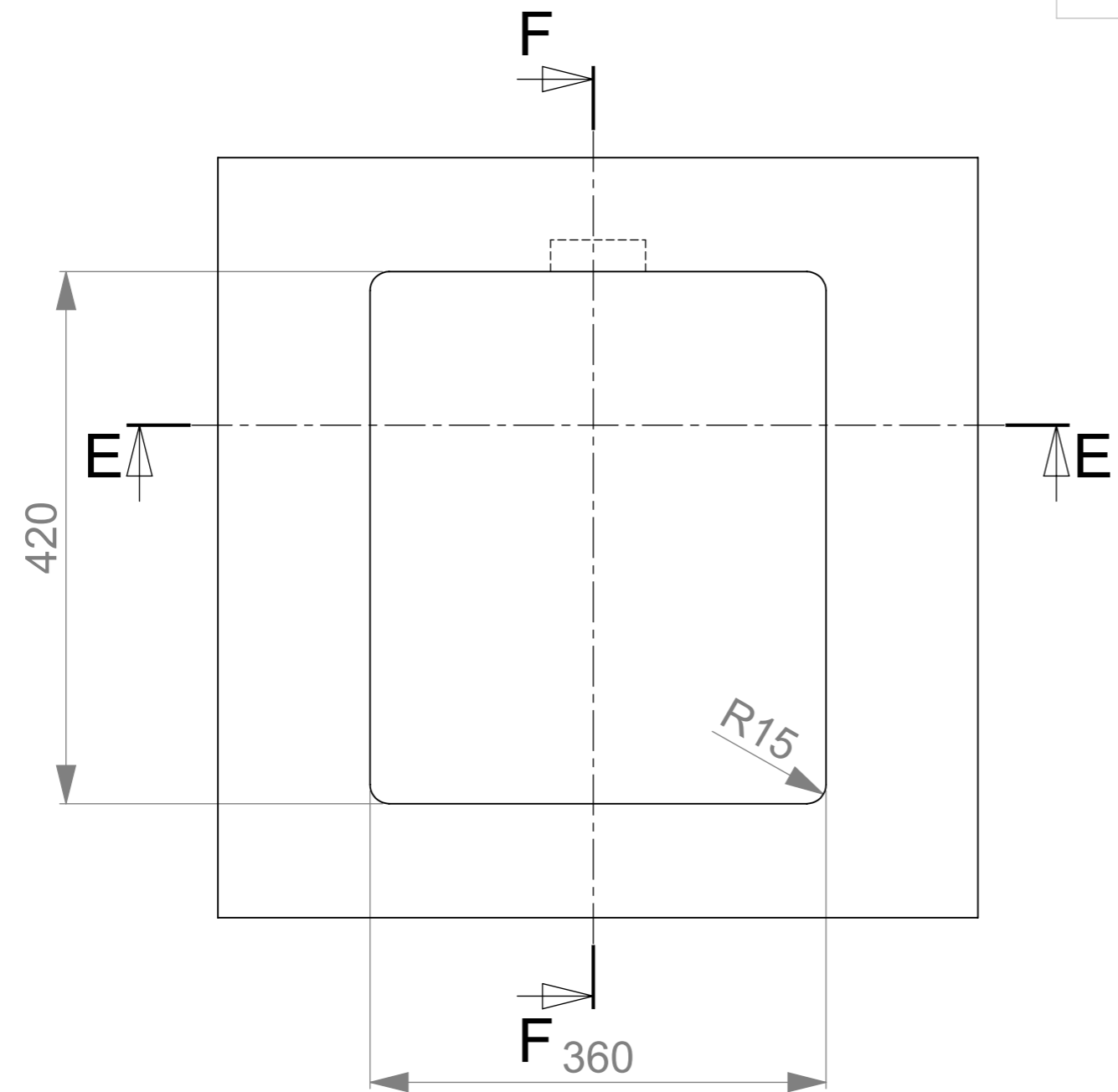
	Mass	General tolerance	Designed by	Date
	kg		VS	24.01.2019
	Size	Scale	Item	Date
	A3	1:10		
 www.stala.com	Description		Drawing number	Sheet/sheets
	LAGOM-34 Technical Data Sheet		18154	3/6
			Rev	A

Change description

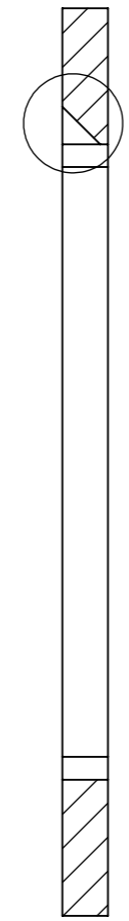
Date
17.09.2019

Designed by
VS

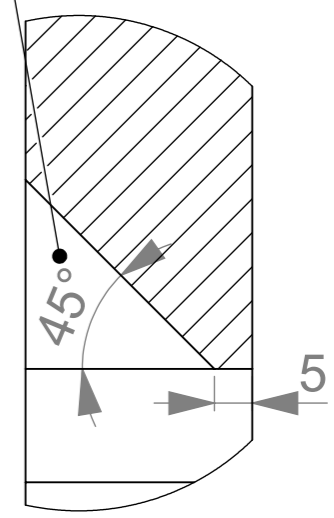
CUT-OUT



Cut-out for overflow

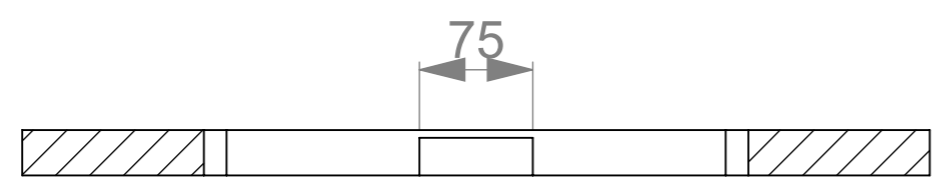
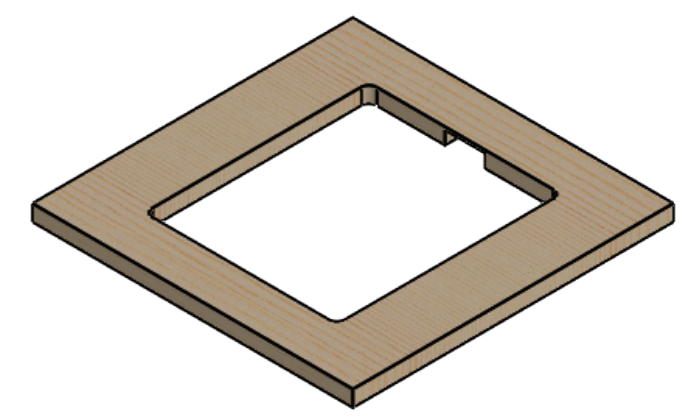


G



G (1 : 1)

F-F



E-E

	Mass	kg	General tolerance	Designed by	Date
	Size	Scale	Item	VS	24.01.2019
 www.stala.com	A3	1:5	Description	Checked by	Date
			LAGOM-34 Technical Data Sheet	18154	
			Drawing number	Sheet/sheets	
				4/6	
			Rev	A	

