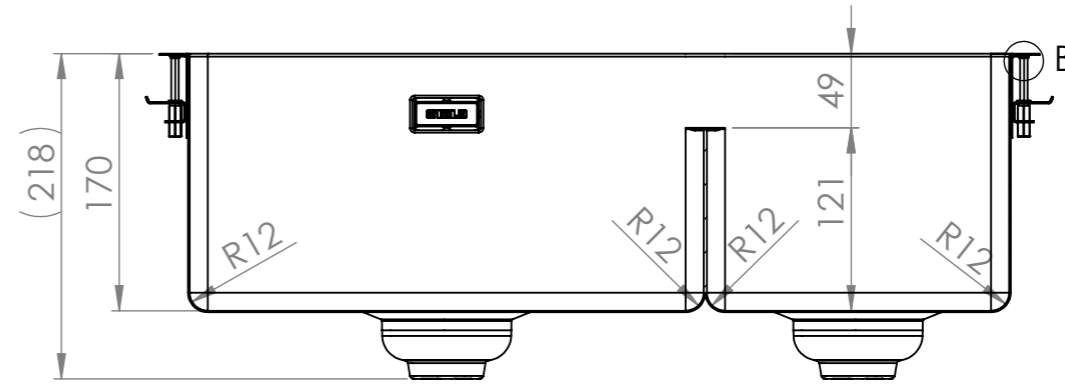
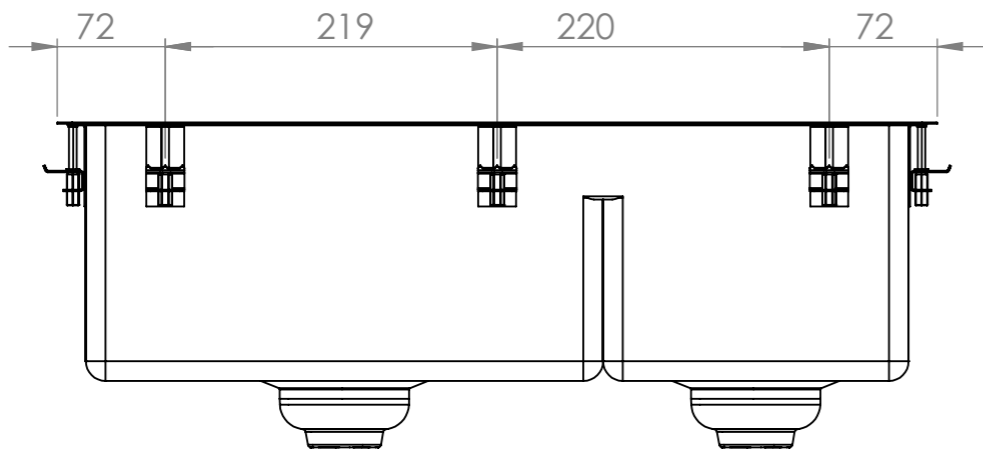


MAIN DIMENSIONS

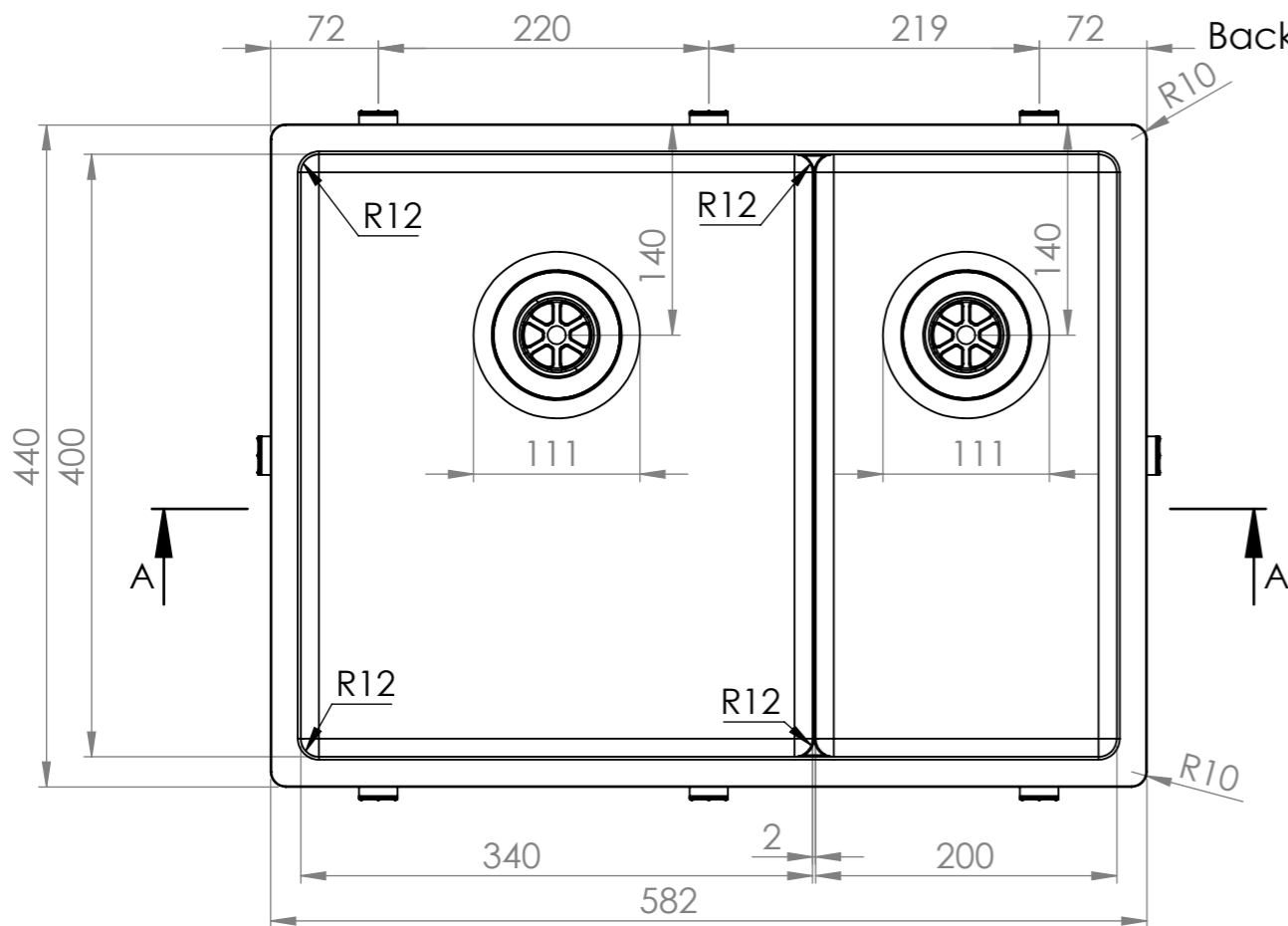
Change description

Date

Designed by

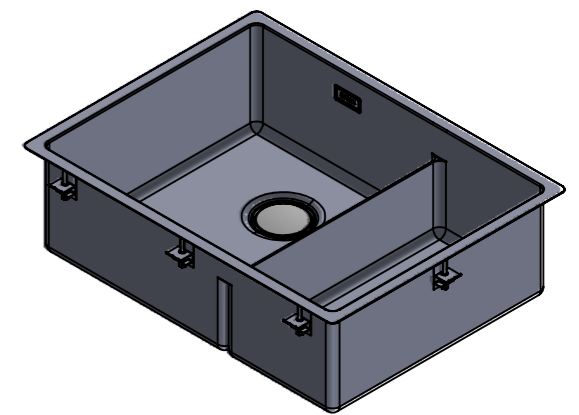
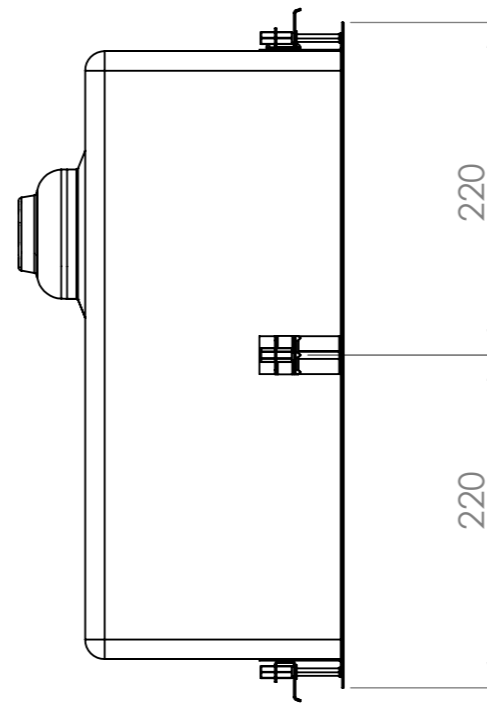
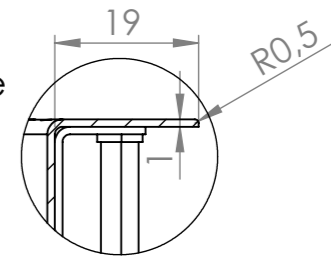


SECTION A-A



Back side fixing points

Mono sanded edge
DETAIL B
SCALE 1 : 1



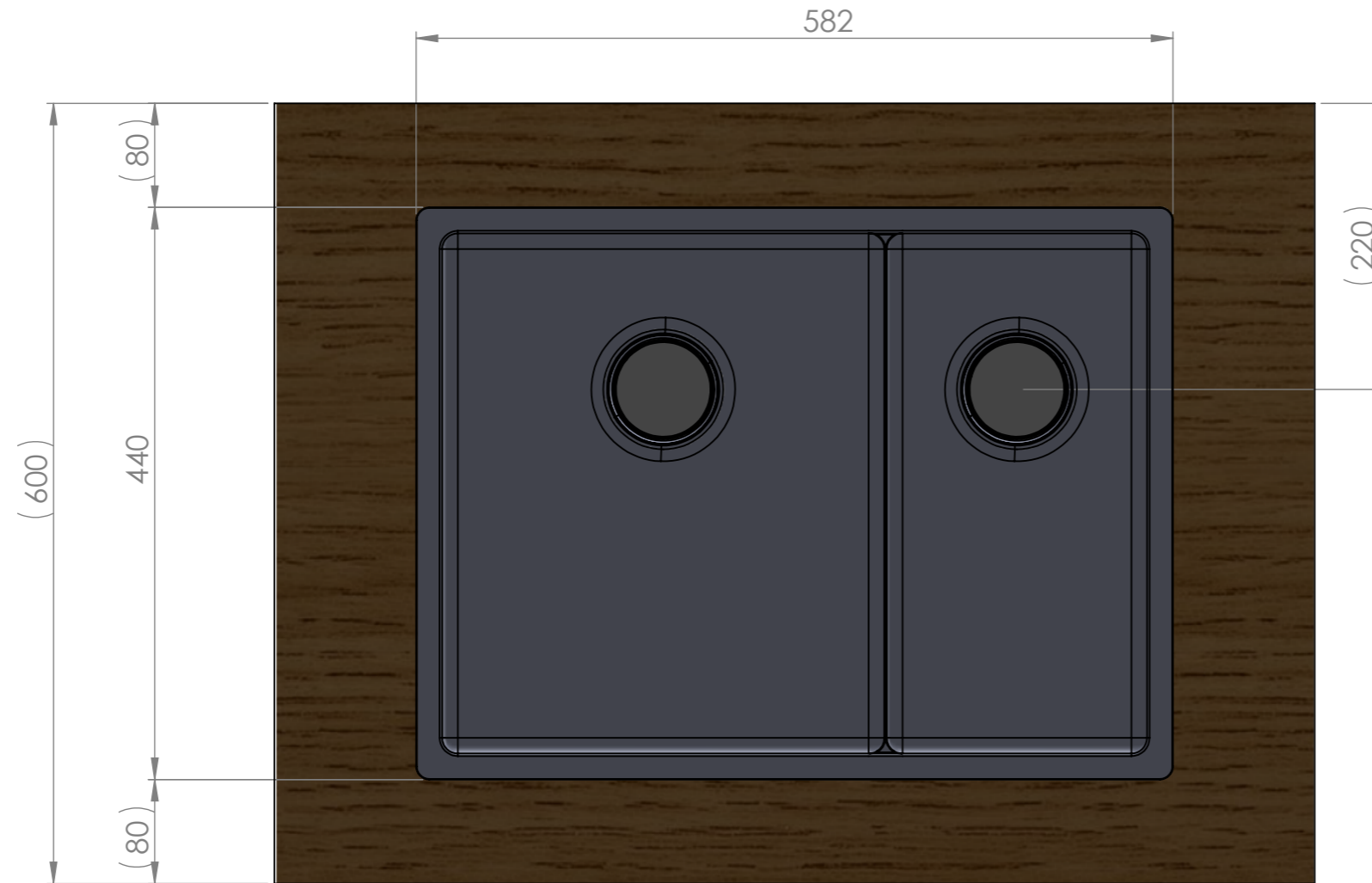
	Mass	kg	General tolerance	Designed by	VS	Date	27.04.2022	
	Size	A3		Scale	1:5	Item	Approved by	VS
			Description ULTRA-34-20 Technical Data Sheet		Drawing number 19465		Sheet/sheets 1/6	
Member of							Rev A	

WORKTOP ASSEMBLY

Change description

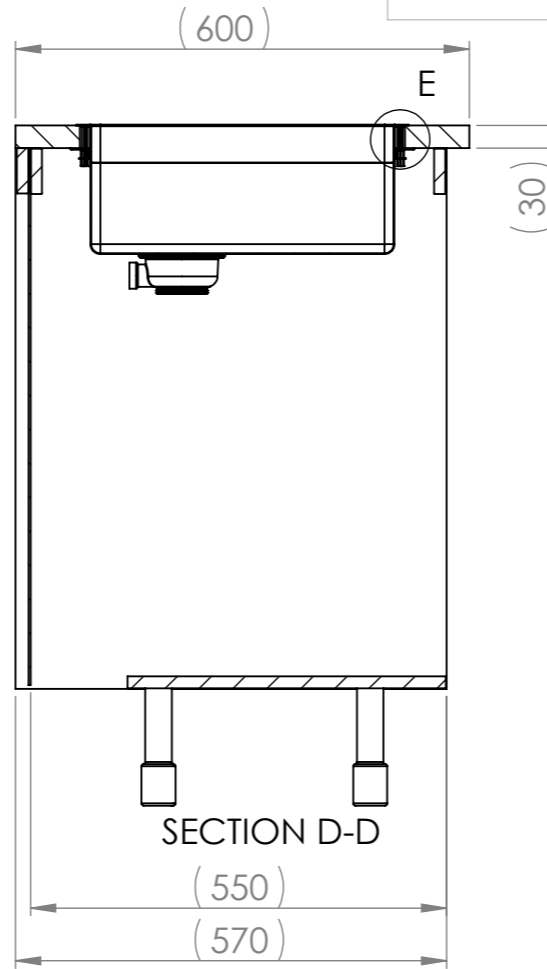
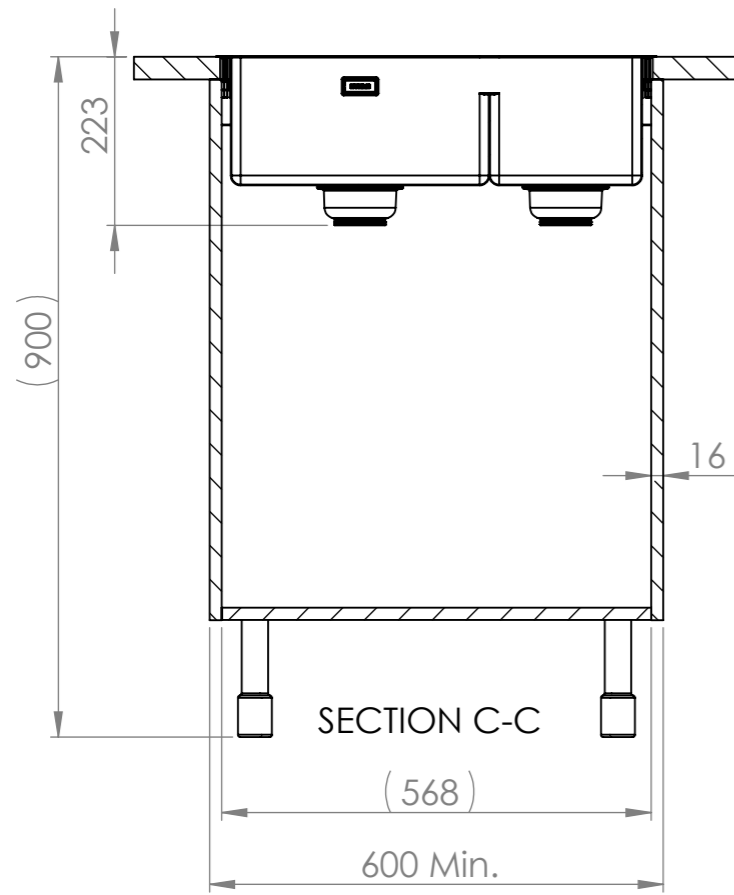
Date

Designed by

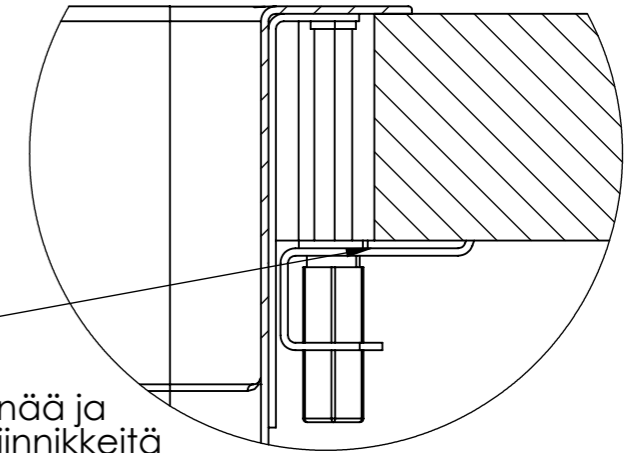


	Mass	kg	General tolerance	Designed by	Date
	Size	Scale	Item	VS	27.04.2022
 Member of	A3	1:5	Description	Approved by	Date
			ULTRA-34-20	VS	10.05.2022
			Technical Data Sheet	Drawing number	Sheet/sheets
			19465	2/6	Rev
				A	

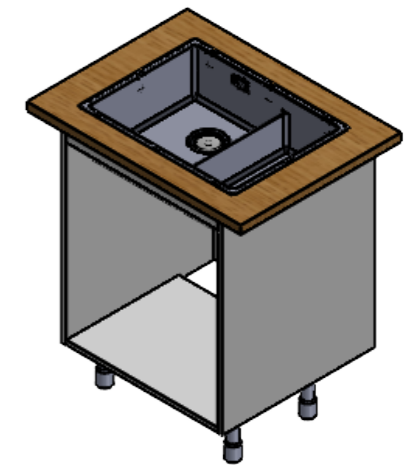
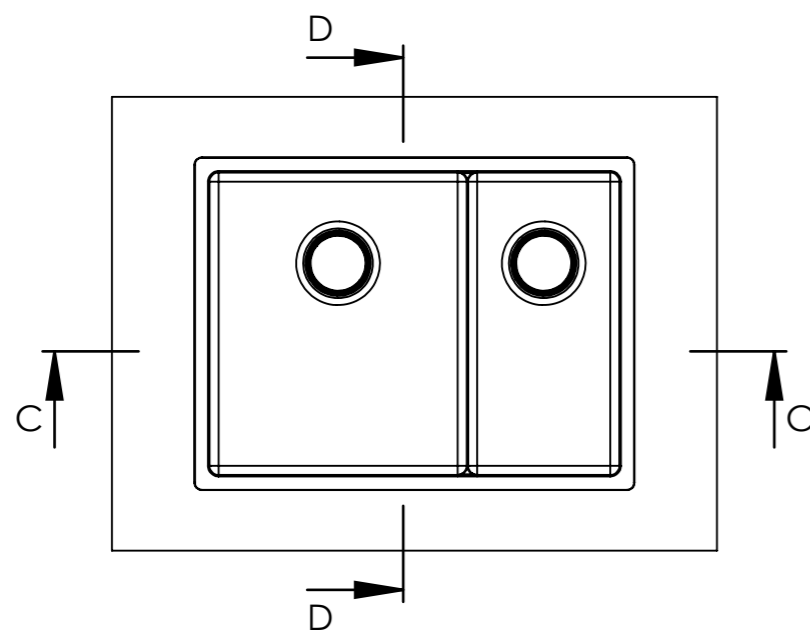
SPACE REQUIREMENTS



DETAIL E
SCALE 1 : 1



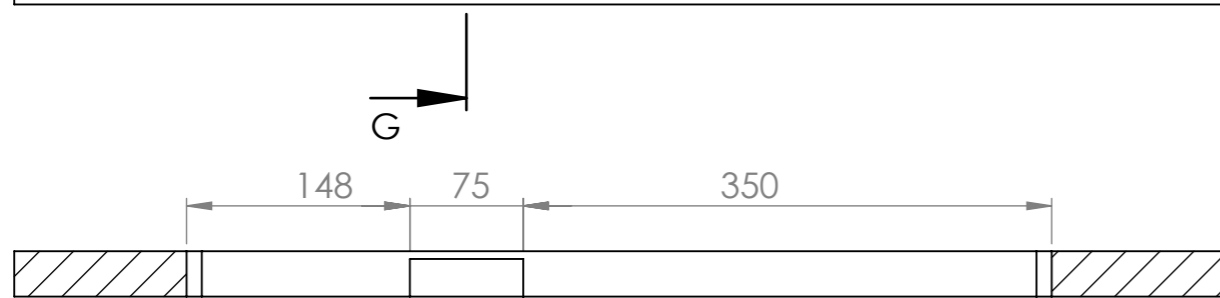
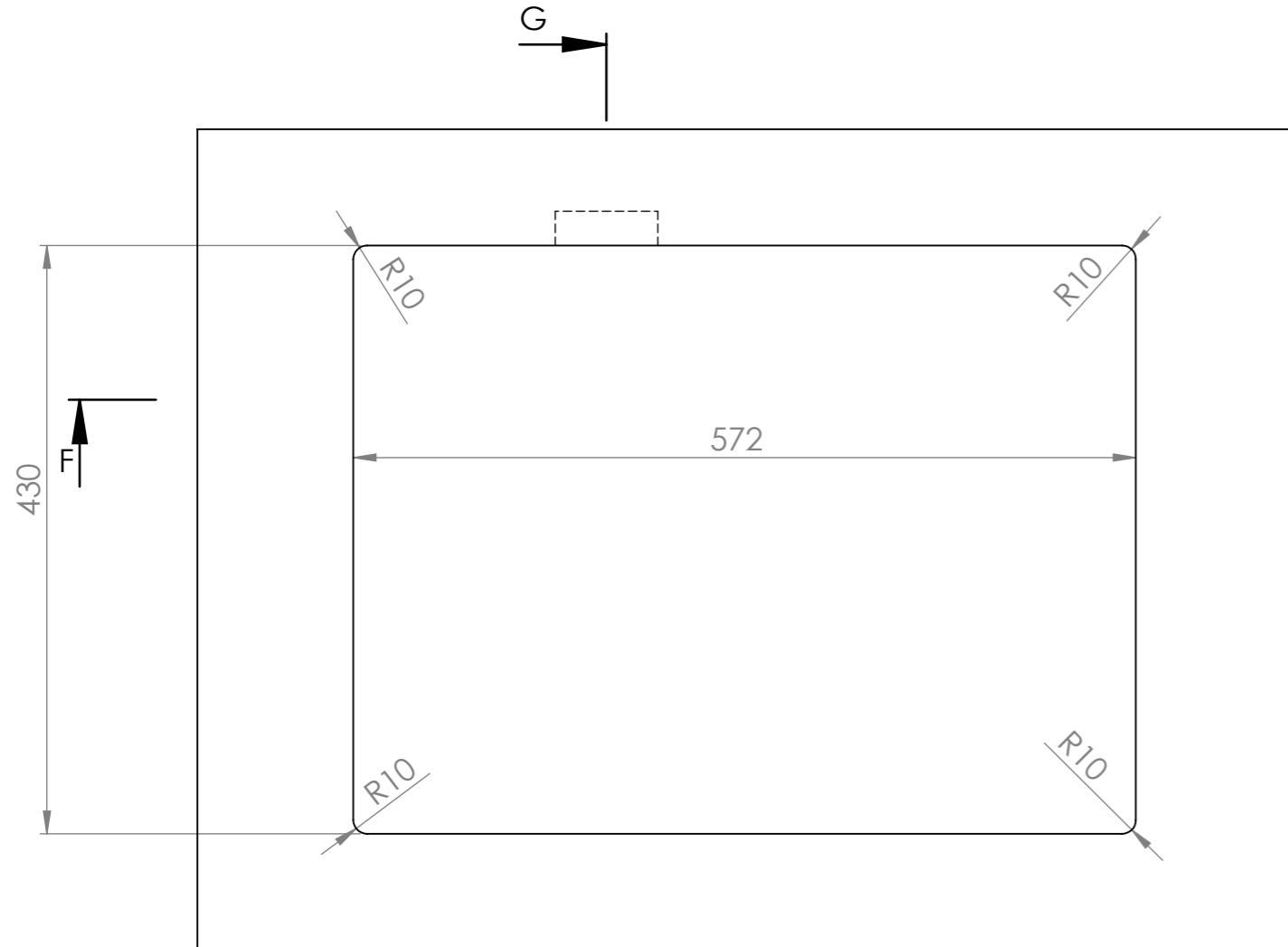
Huom!
Tarvittaessa kaapin väliseinää ja etu/takalistaa lovetettava kiinnikkeitä varten ja pesuallas on kiinnitettävä ennen työtason asennusta.
Obs!
Vid behov måste en inskärning för hofästena göras i skåpets mellanvägg och förbindningslist och diskbänken måste fästas innan du monterar bänkskivan.
Notice!
The partition walls and front/back list of the cupboard must be notched for the sink mountings when needed and the sink must be fastened before installing the worktop.



	Mass	kg	General tolerance	Designed by	Date
	Size	Scale	Item	VS	27.04.2022
	A3	1:10		Approved by	Date
				VS	10.05.2022
 Member of ALVEUS			Description	Drawing number	Sheet/sheets
			ULTRA-34-20	19465	3/6
			Technical Data Sheet	Rev	A

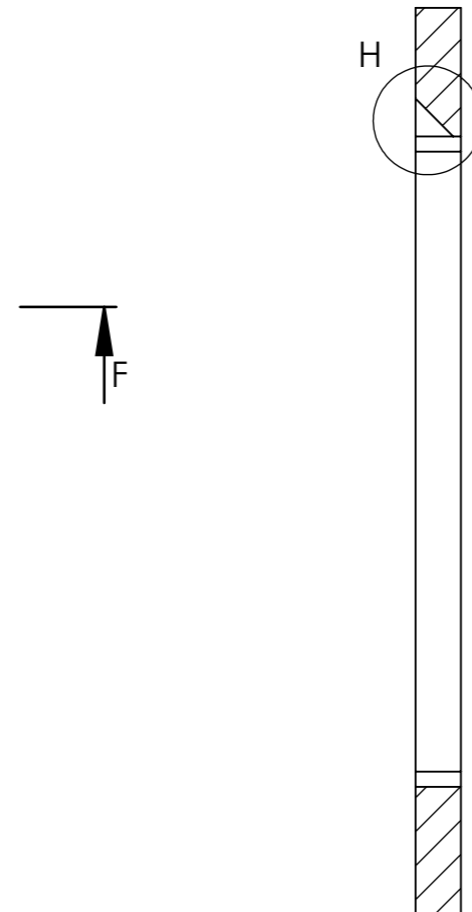
Change description					Date	Designed by	
--------------------	--	--	--	--	------	-------------	--

CUT-OUT



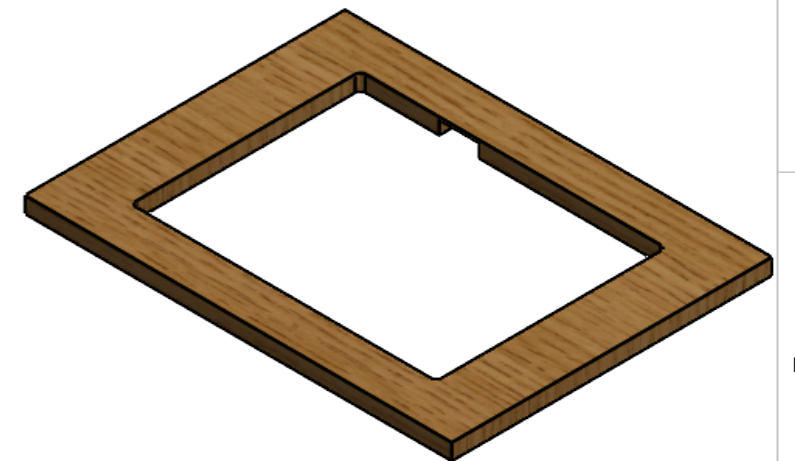
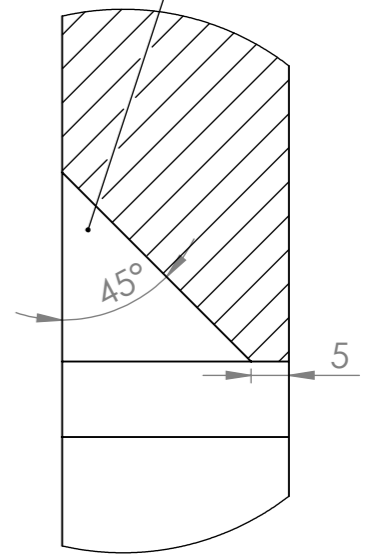
SECTION F-F


SECTION G-G



Cut-out for overflow

DETAIL H
SCALE 1 : 1



 Member of ALVEUS	Mass	kg	General tolerance	Designed by	Date
	Size	Scale	Item	VS	27.04.2022
	A3	1:5		Approved by	Date
				VS	10.05.2022
	Description		Description	Drawing number	Sheet/sheets
	ULTRA-34-20		ULTRA-34-20	19465	4/6
	Technical Data Sheet				Rev
					A

