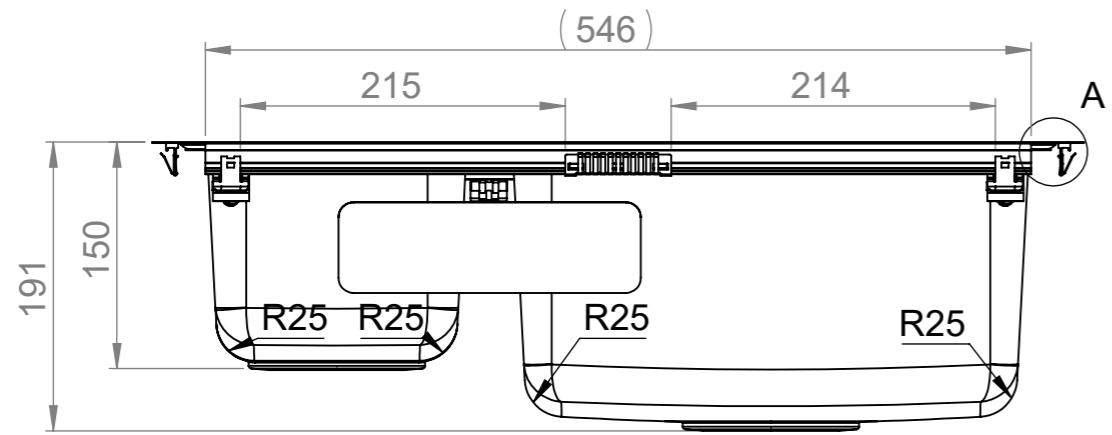


MAIN DIMENSIONS

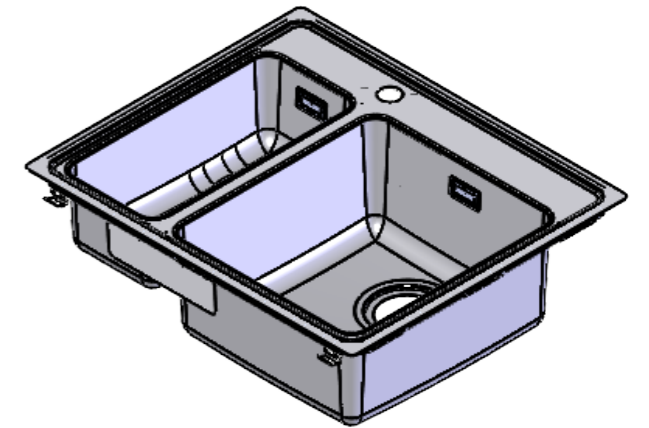
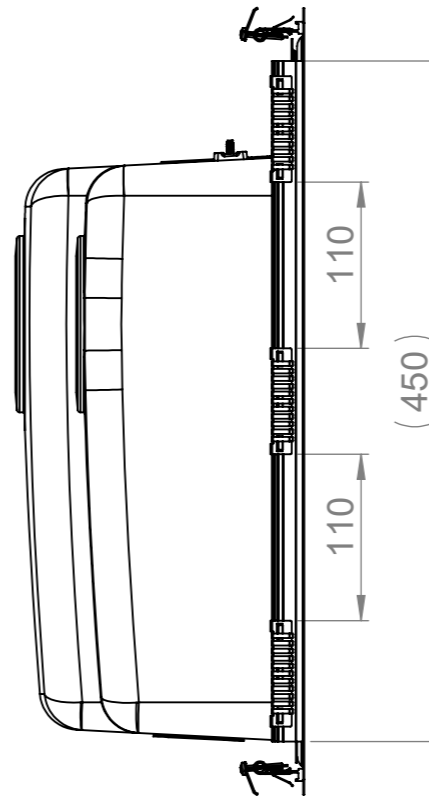
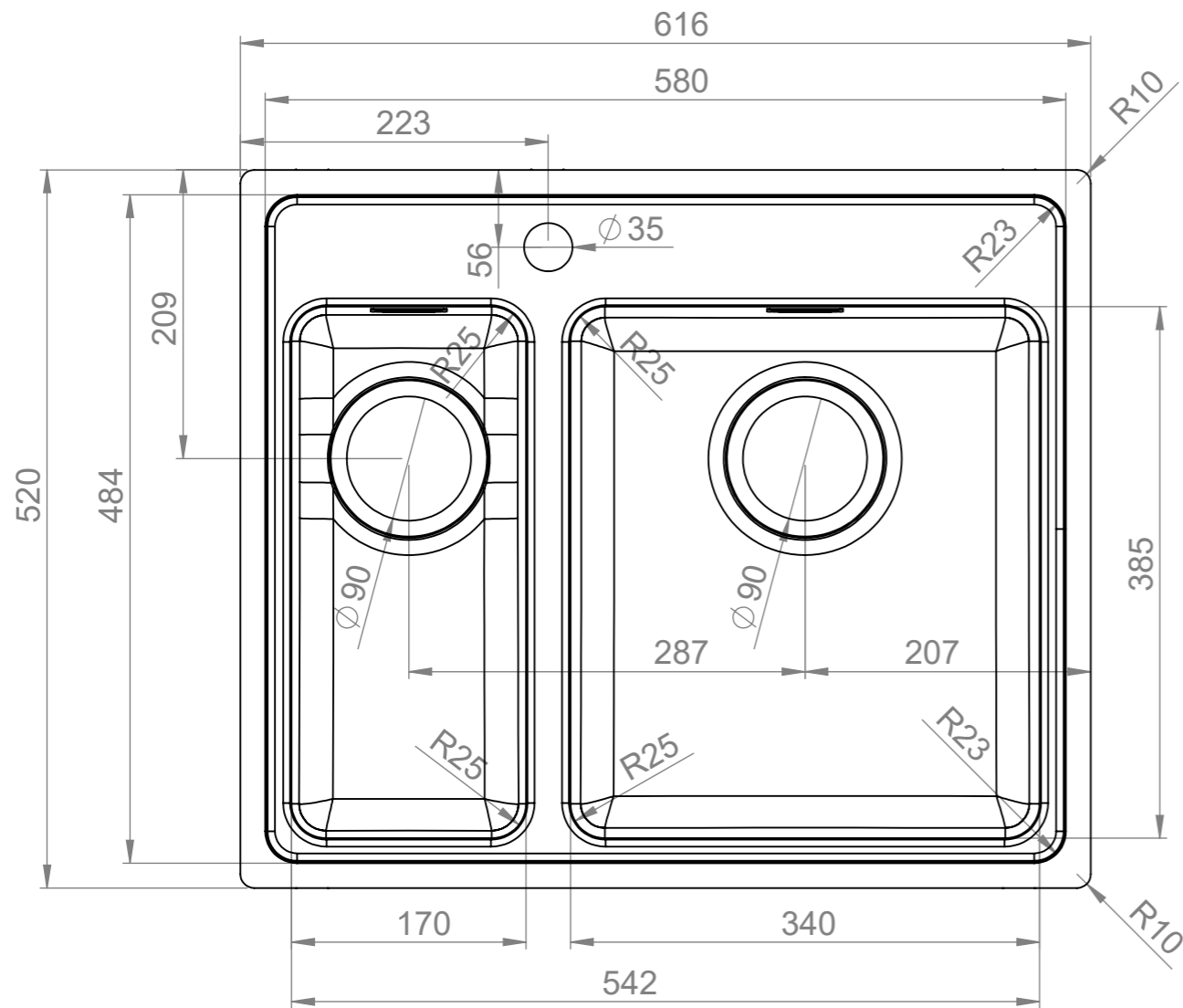
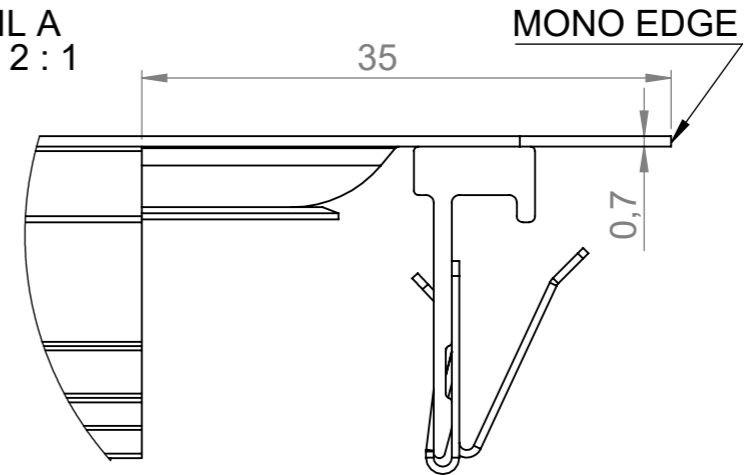
Change description




Date

Designed by



DETAIL A
SCALE 2 : 1



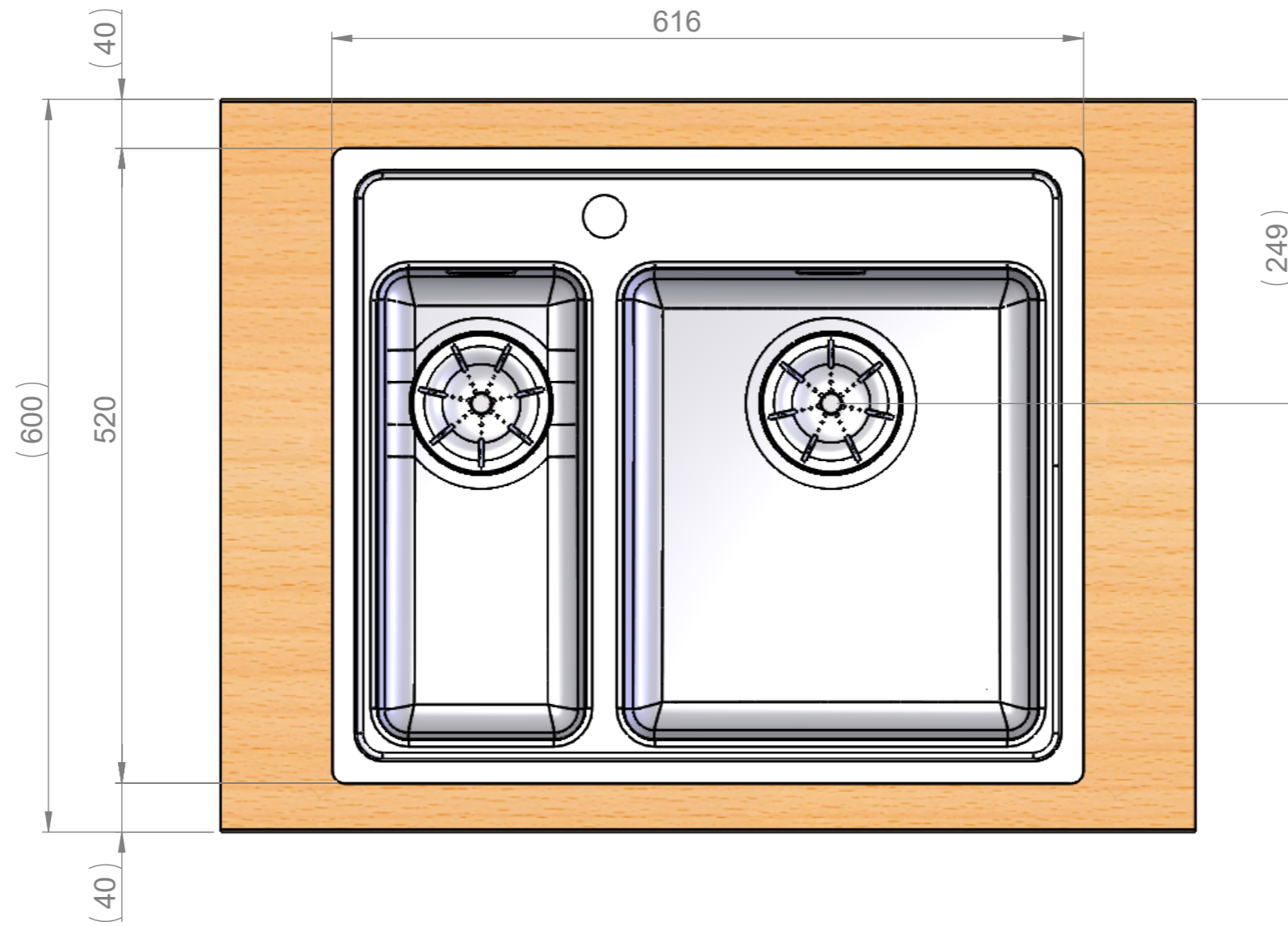
	Mass	kg	General tolerance	Designed by	Date
	Size	Scale	Item	PJ	03.03.2023
	A3	1:5		Approved by	Date
				VS	09.08.2023
			Description	Drawing number	Sheet/sheets
Member of 			ONE-T17-34	19609	1/6
Technical Data Sheet				Rev	A

WORKTOP ASSEMBLY

Change description

Date

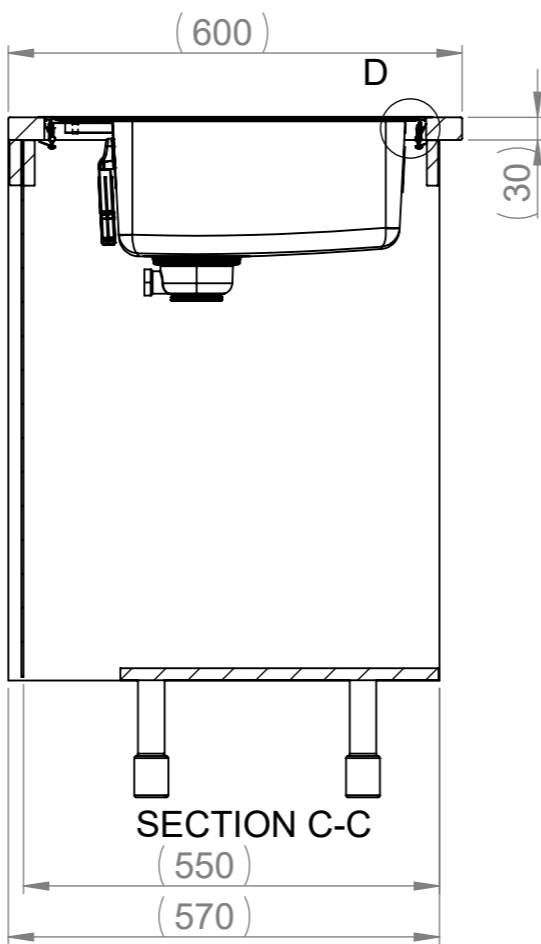
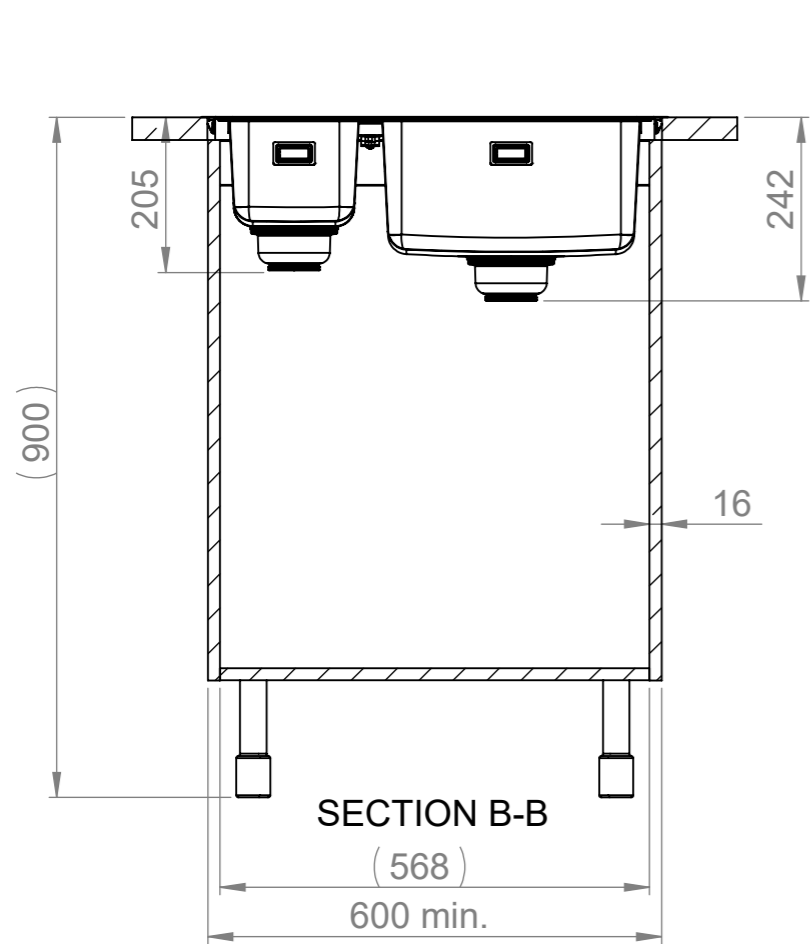
Designed by



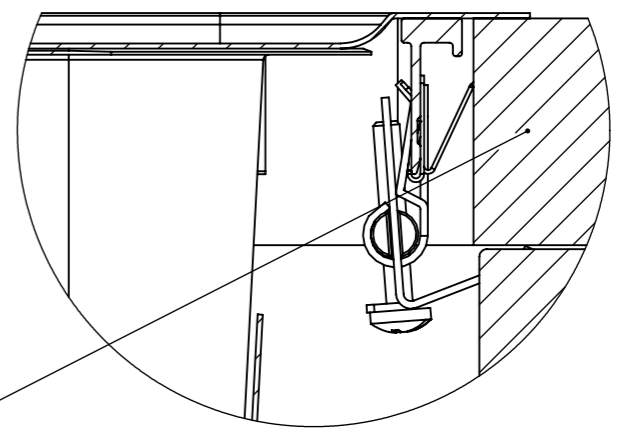
	Mass	kg	General tolerance	Designed by	Date
	Size	Scale	Item	PJ	03.03.2023
 Member of ALVEUS	A3	1:5	Description	Approved by	Date
			ONE-T17-34	VS	09.08.2023
			Technical Data Sheet	Drawing number	Sheet/sheets
			19609	2/6	Rev
				A	

SPACE REQUIREMENTS

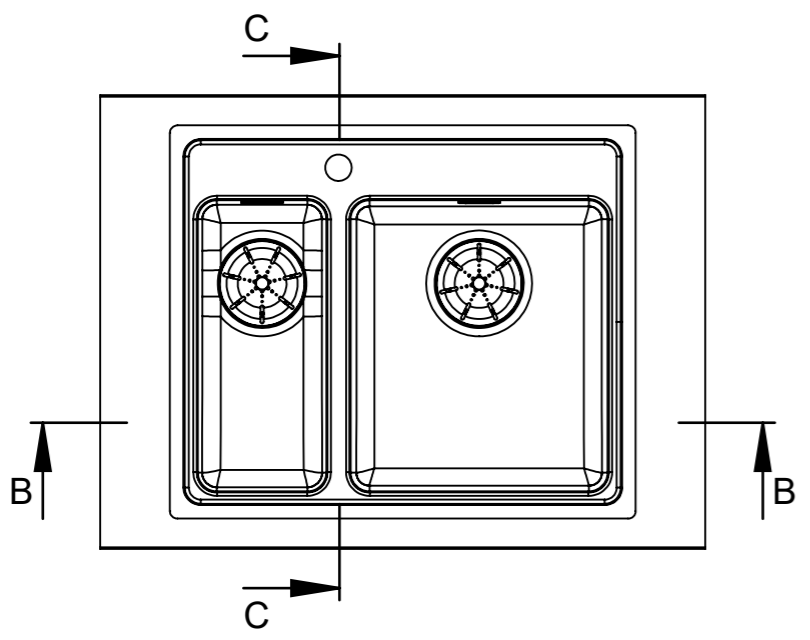
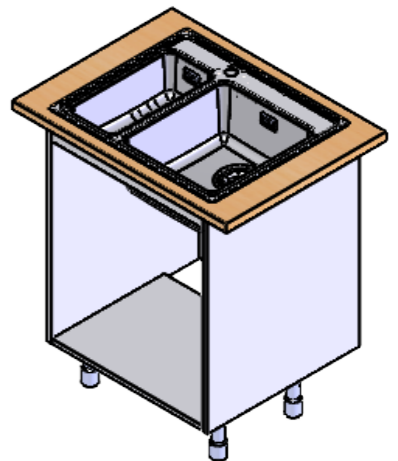
Change description	Date	Designed by
--------------------	------	-------------



DETAIL D
SCALE 1 : 1

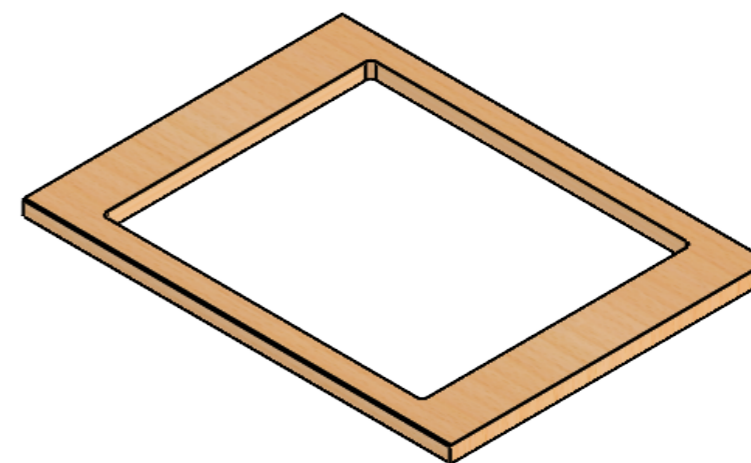
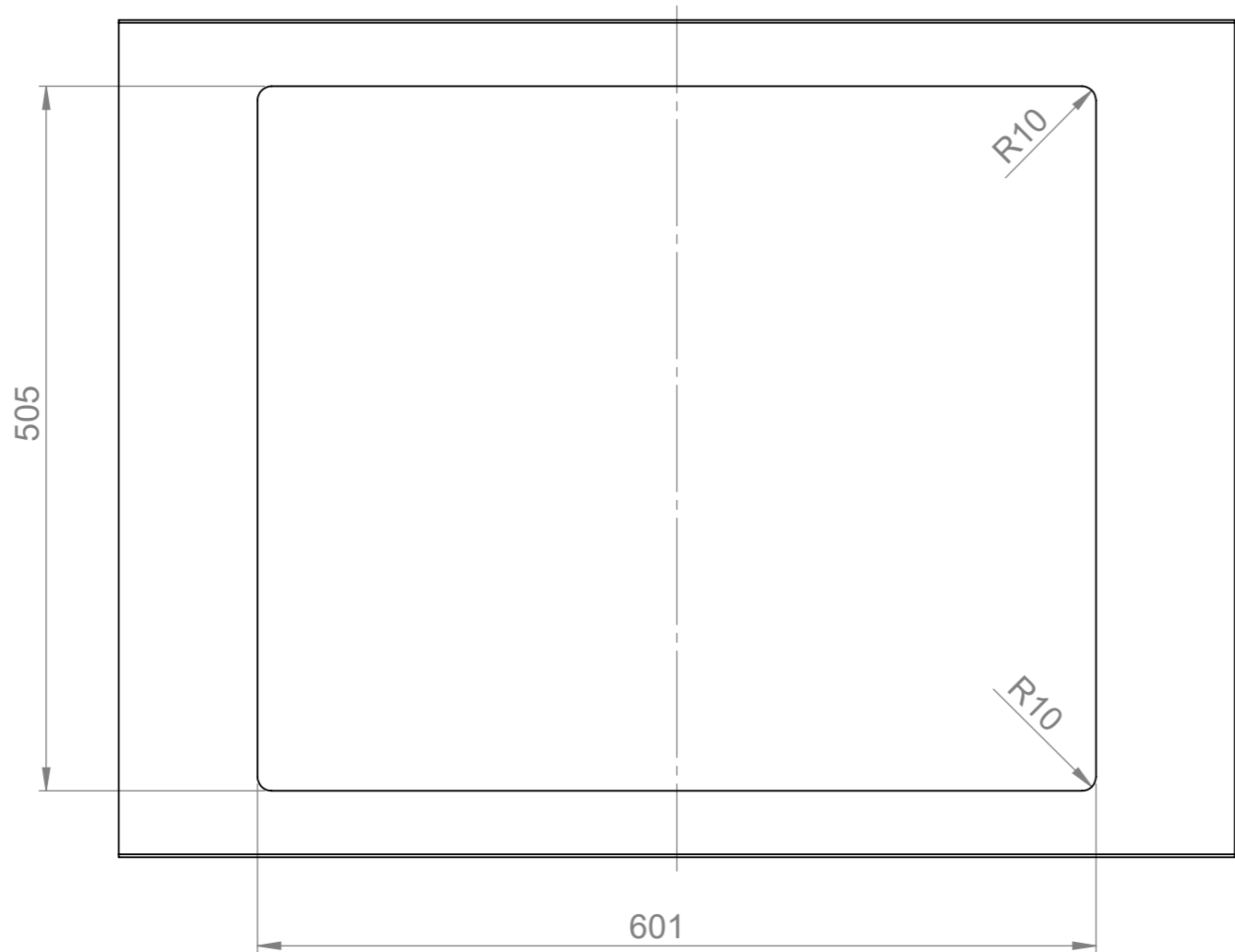


Huom!
 Tarvittaessa kaapin väliseinää ja etu/takalistaa lovettava kiinnikkeitä varten ja pesuallas on kiinnitettävä ennen työtason asennusta.
 Obs!
 Vid behov måste en inskärning för hofästena göras i skåpets mellanvägg och förbindningslist och diskbänken måste fästas innan du monterar bänkskivan.
 Notice!
 The partition walls and front/back list of the cupboard must be notched for the sink mountings when needed and the sink must be fastened before installing the worktop.



	Mass	kg	General tolerance	Designed by	Date
	Size	Scale	Item	PJ	03.03.2023
 Member of ALVEUS	A3	1:10	Description	Approved by	Date
	ONE-T17-34		VS	VS	09.08.2023
	Technical Data Sheet		19609	Drawing number	Sheet/sheets
				Rev	A

CUT-OUT



Change description						Date	Designed by
--------------------	--	--	--	--	--	------	-------------

	Mass	kg	General tolerance	Designed by	Date
	Size	Scale	Item	Approved by	Date
			Description	Drawing number	Sheet/sheets
Member of			ONE-T17-34	19609	4/6
Technical Data Sheet				Rev	A

