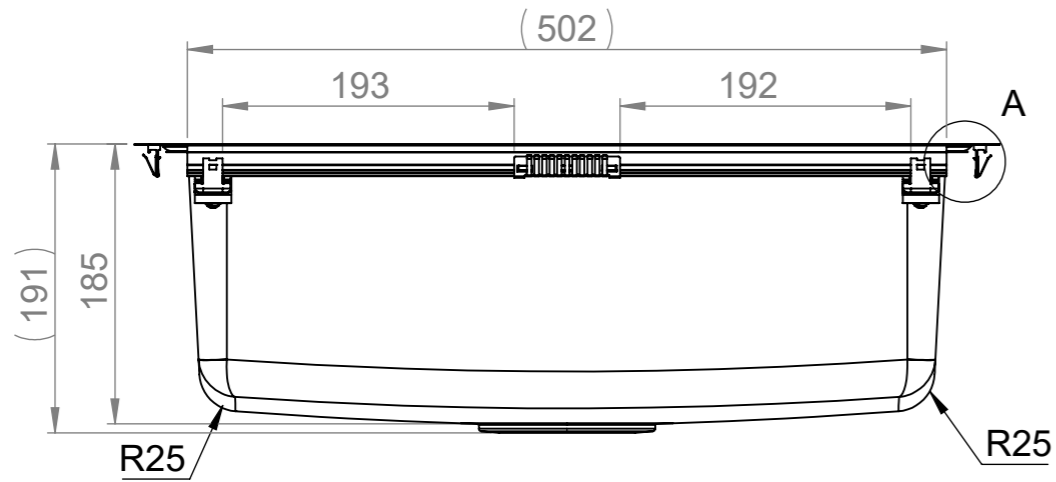


MAIN DIMENSIONS

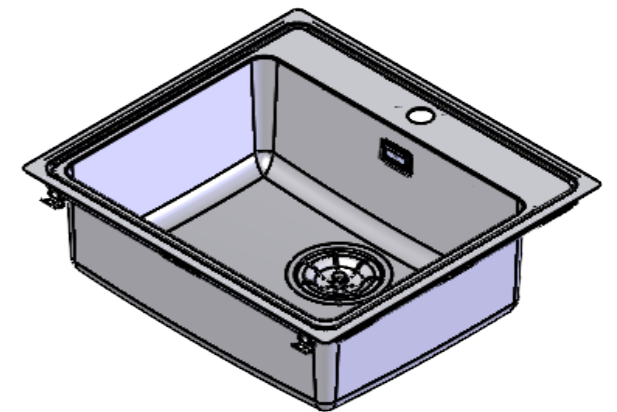
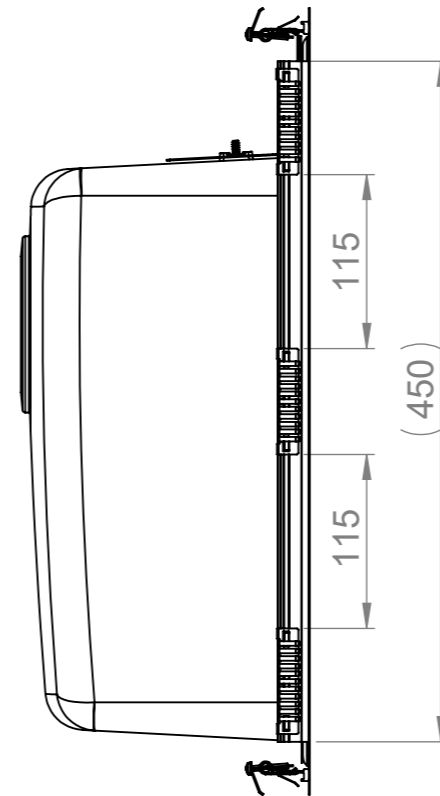
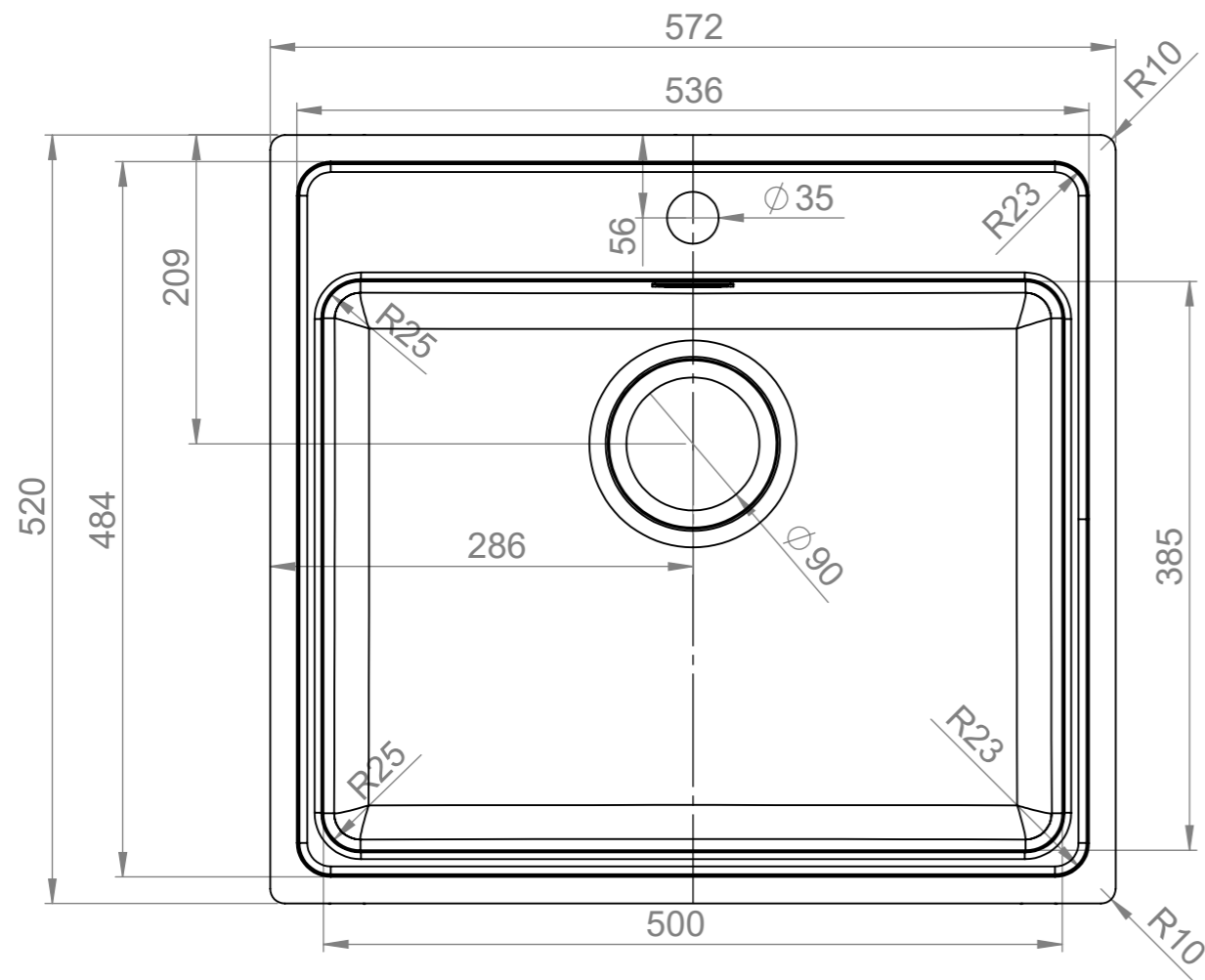
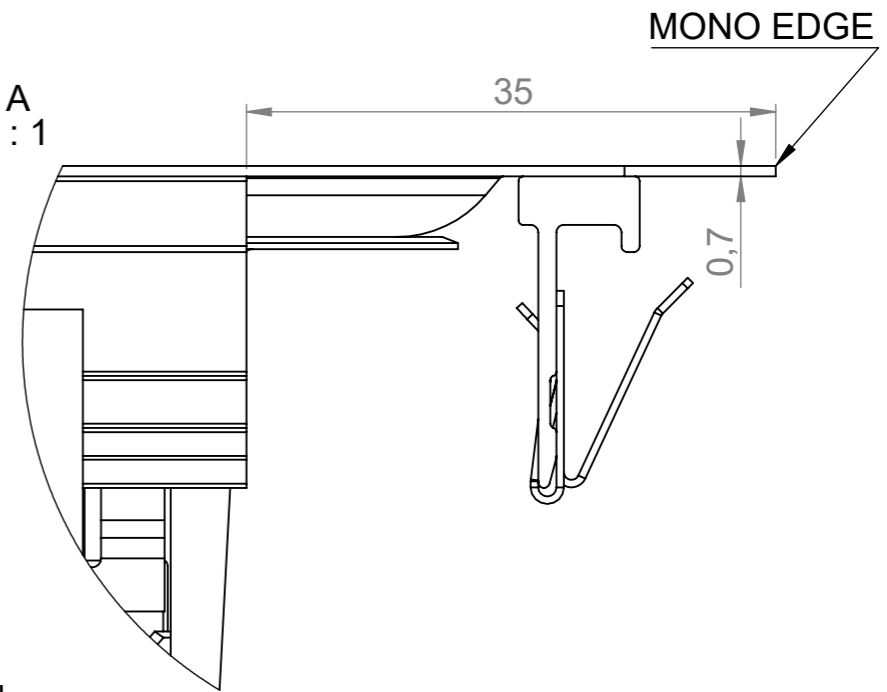
Change description

Date

Designed by



DETAIL A
SCALE 2 : 1



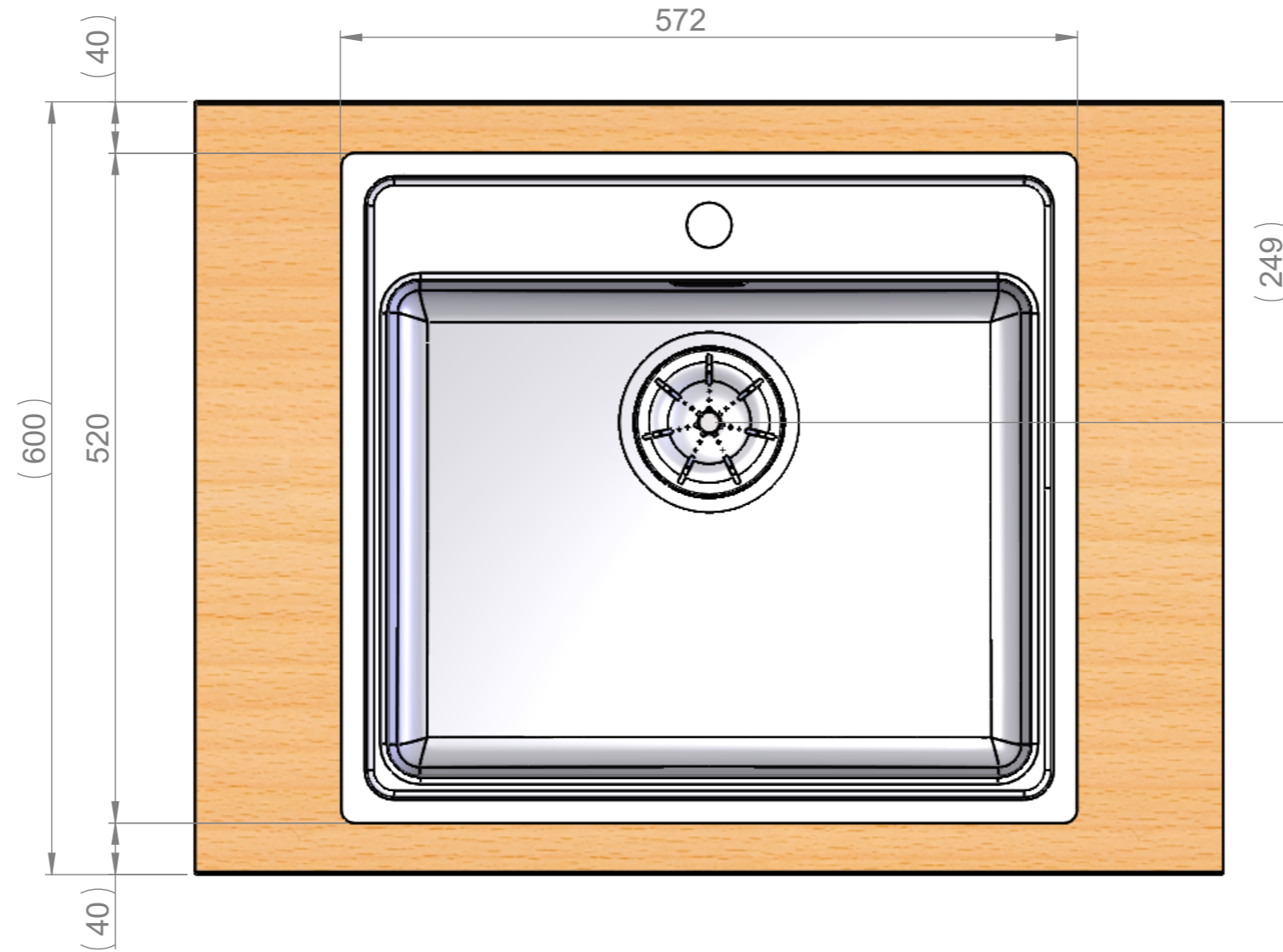
	Mass	kg	General tolerance	Designed by	Date
	Size	Scale	Item	PJ	03.03.2023
	A3	1:5	Description	Approved by	Date
	Member of ALVEUS	ONE-T50	Technical Data Sheet	VS	08.08.2023
			Drawing number	Sheet/sheets	
			19601	1/6	
				Rev	A

WORKTOP ASSEMBLY

Change description

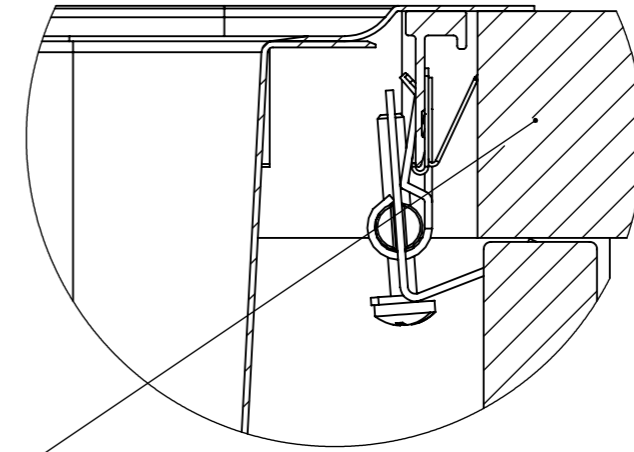
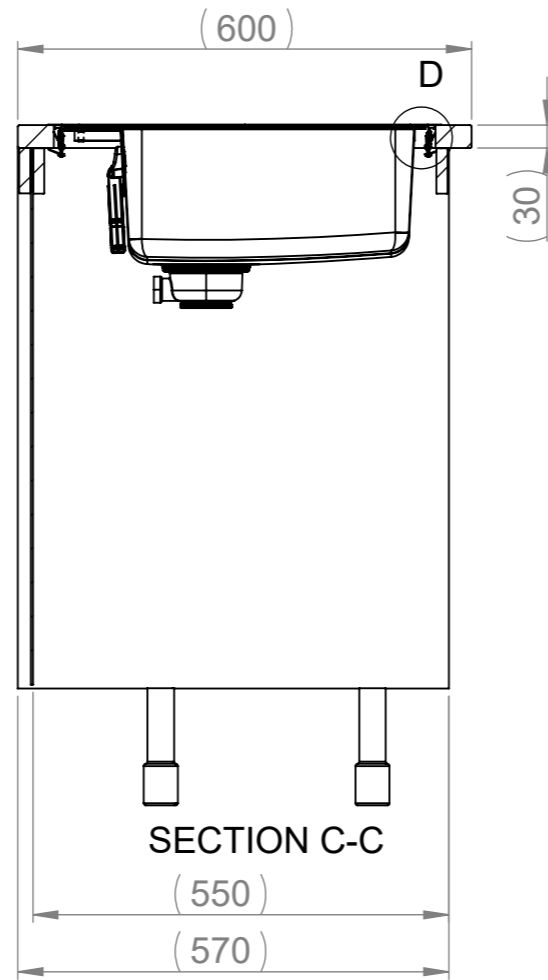
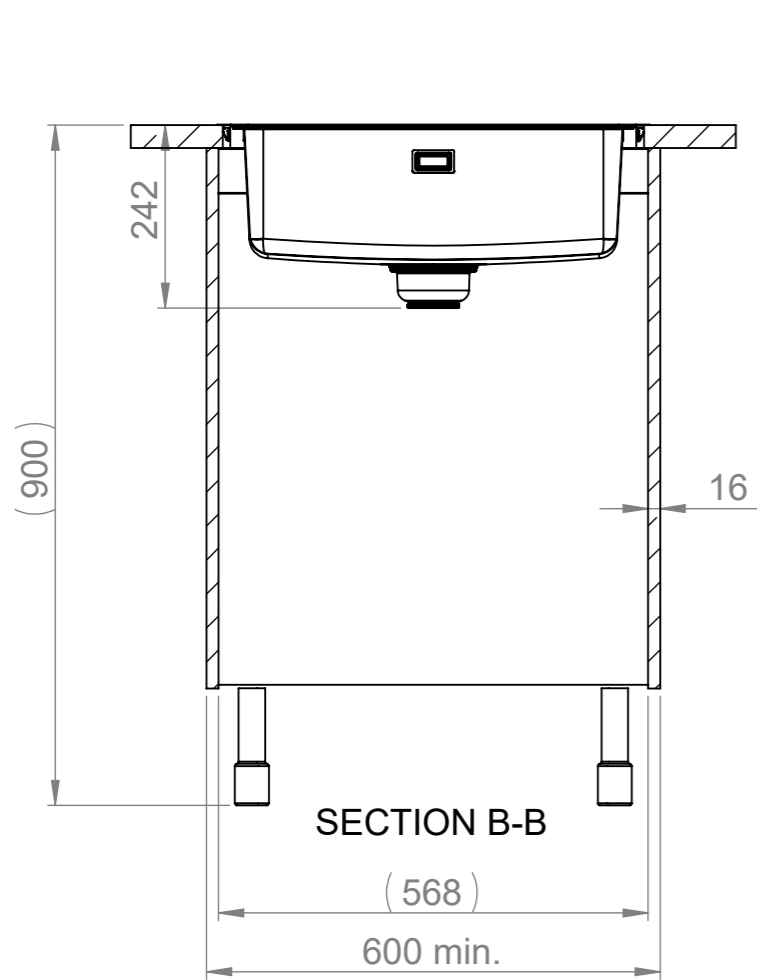
Date

Designed by



	Mass	kg	General tolerance	Designed by	Date
	Size	Scale	Item	PJ	03.03.2023
 Member of ALVEUS	A3	1:5	Description	Approved by	Date
			ONE-T50	VS	08.08.2023
			Technical Data Sheet	Drawing number	Sheet/sheets
			19601	2/6	Rev
				A	

SPACE REQUIREMENTS

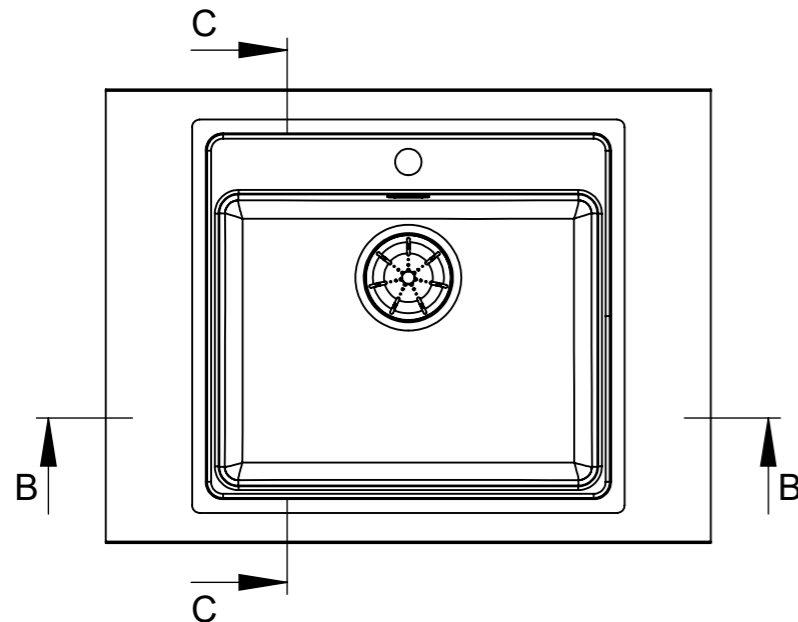
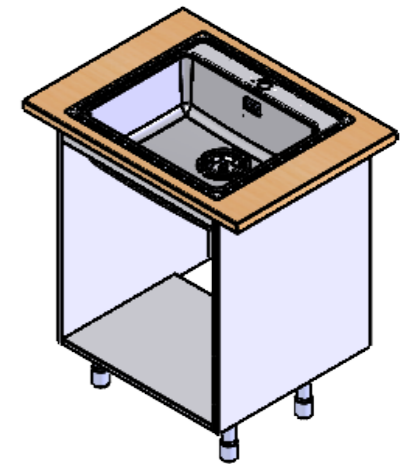


DETAIL D
SCALE 1 : 1

Huom!
Tarvittaessa kaapin väliseinää ja etu/takalistaa lovetettava kiinnikkeitä varten ja pesuallas on kiinnitettävä ennen työtason asennusta.

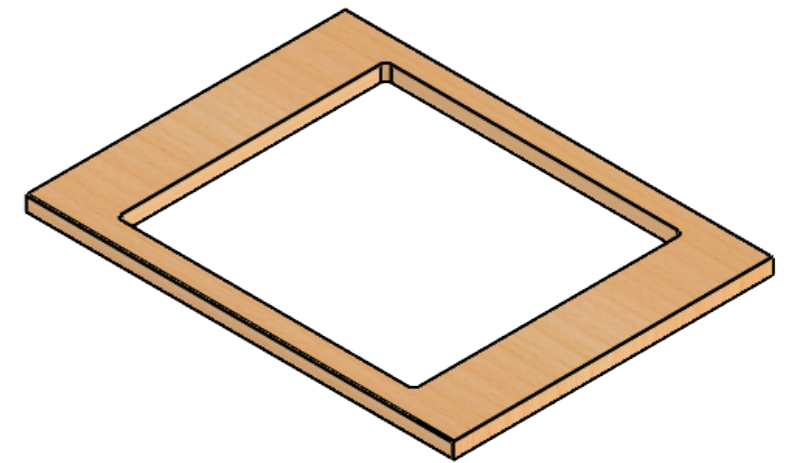
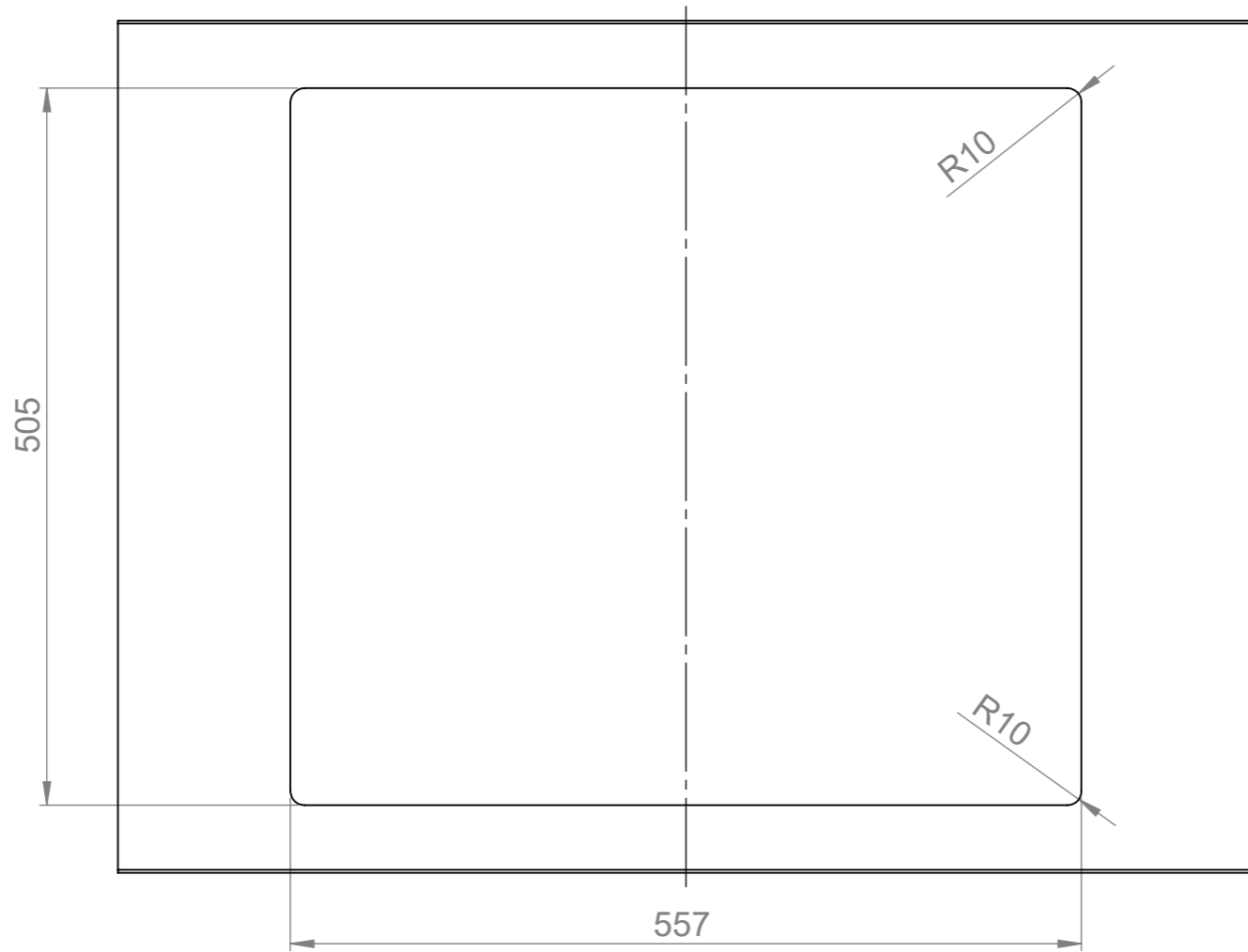
Obs!
Vid behov måste en inskärning för hofästena göras i skåpets mellanvägg och förbindningslist och diskbänken måste fästas innan du monterar bänkskivan.

Notice!
The partition walls and front/back list of the cupboard must be notched for the sink mountings when needed and the sink must be fastened before installing the worktop.



	Mass	kg	General tolerance	Designed by	Date
	Size	Scale	Item	PJ	03.03.2023
	A3	1:10	Description	Approved by	Date
			ONE-T50	VS	08.08.2023
	Member of ALVEUS		Technical Data Sheet	Drawing number	Sheet/sheets
			19601	3/6	Rev
				A	

CUT-OUT



Change description					Date	Designed by
--------------------	--	--	--	--	------	-------------

	Mass	kg	General tolerance		Designed by	Date
	Size	Scale	Item		Approved by	Date
			Description		Drawing number	Sheet/sheets
Member of			ONE-T50		19601	4/6
			Technical Data Sheet			Rev

