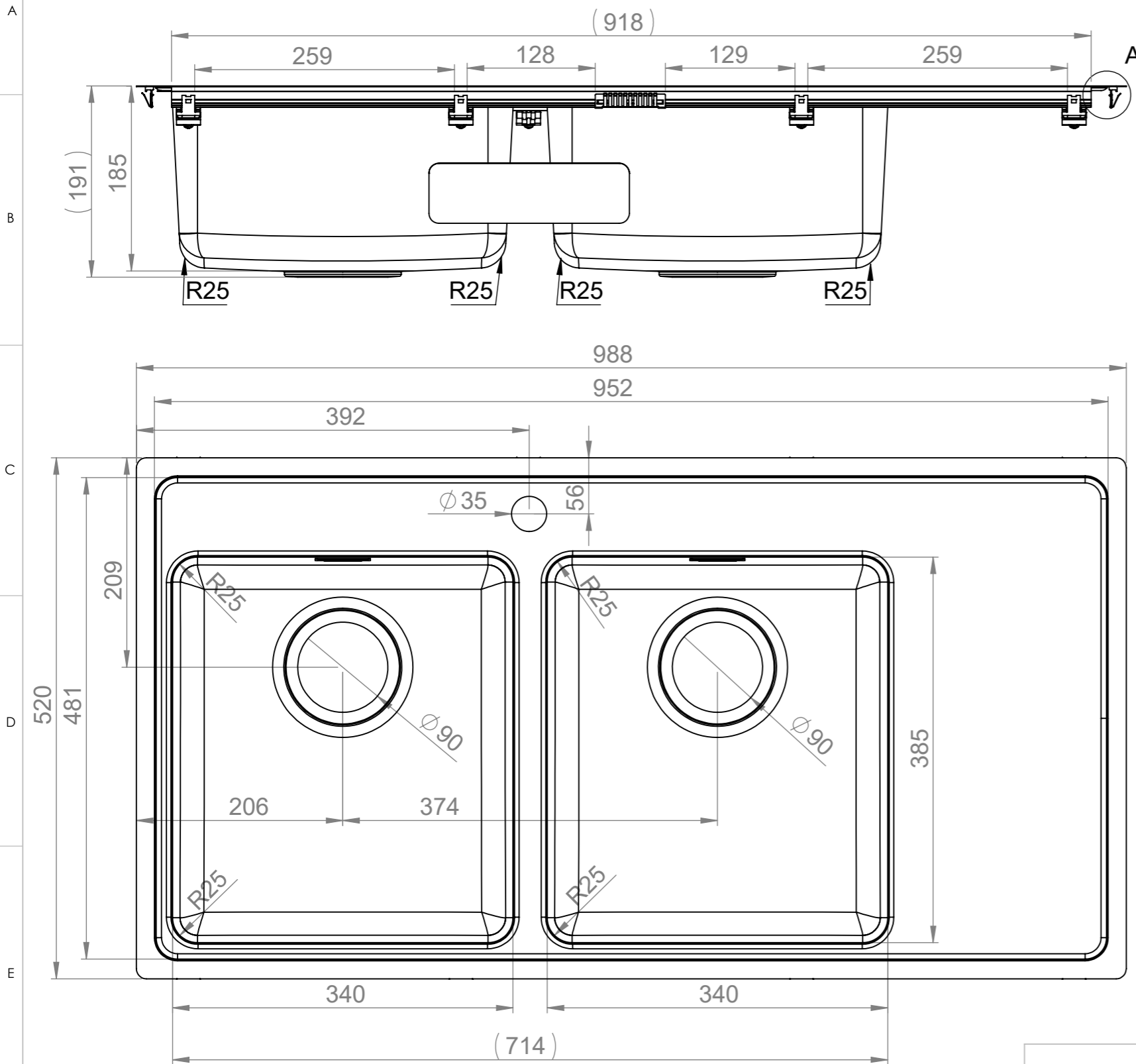


MAIN DIMENSIONS

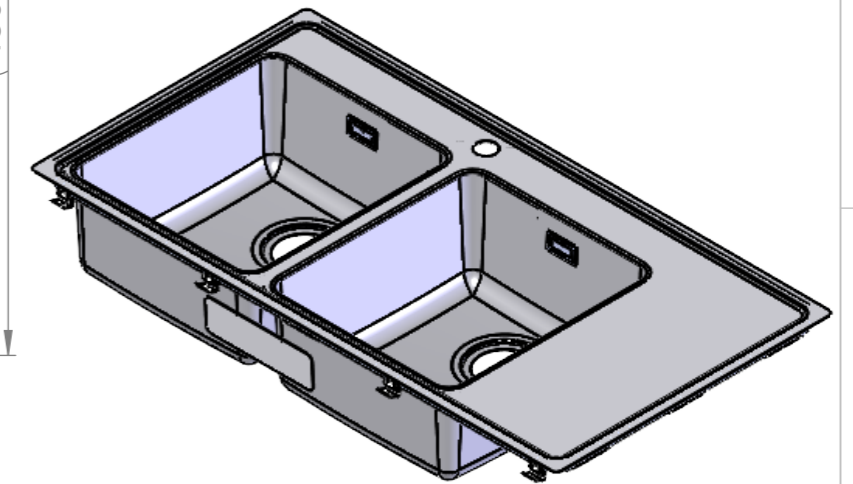
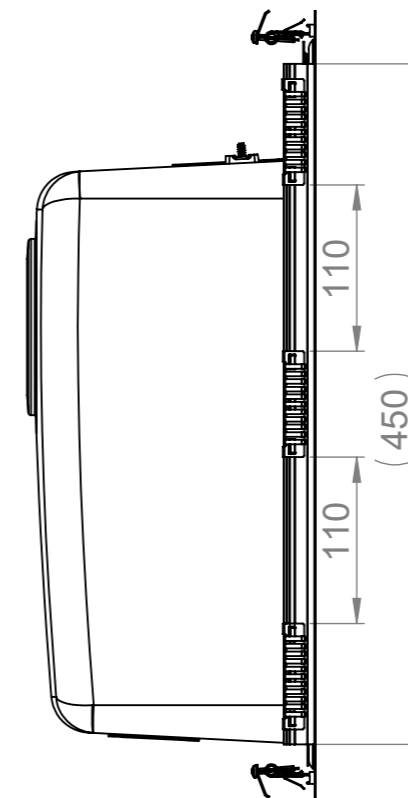
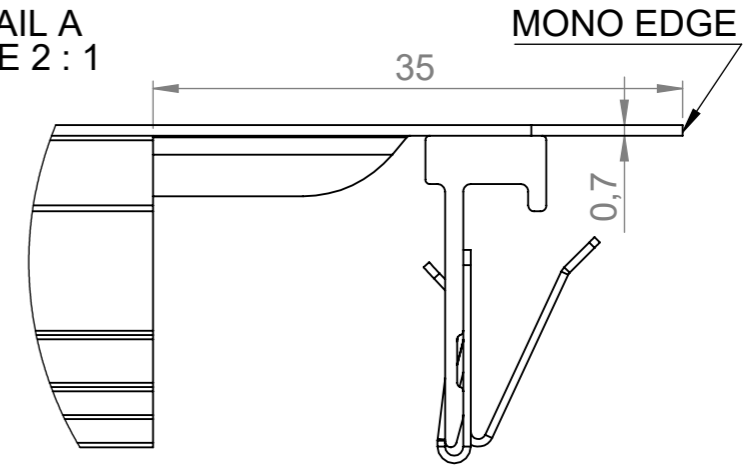
Change description

Date

Designed by



DETAIL A
SCALE 2 : 1



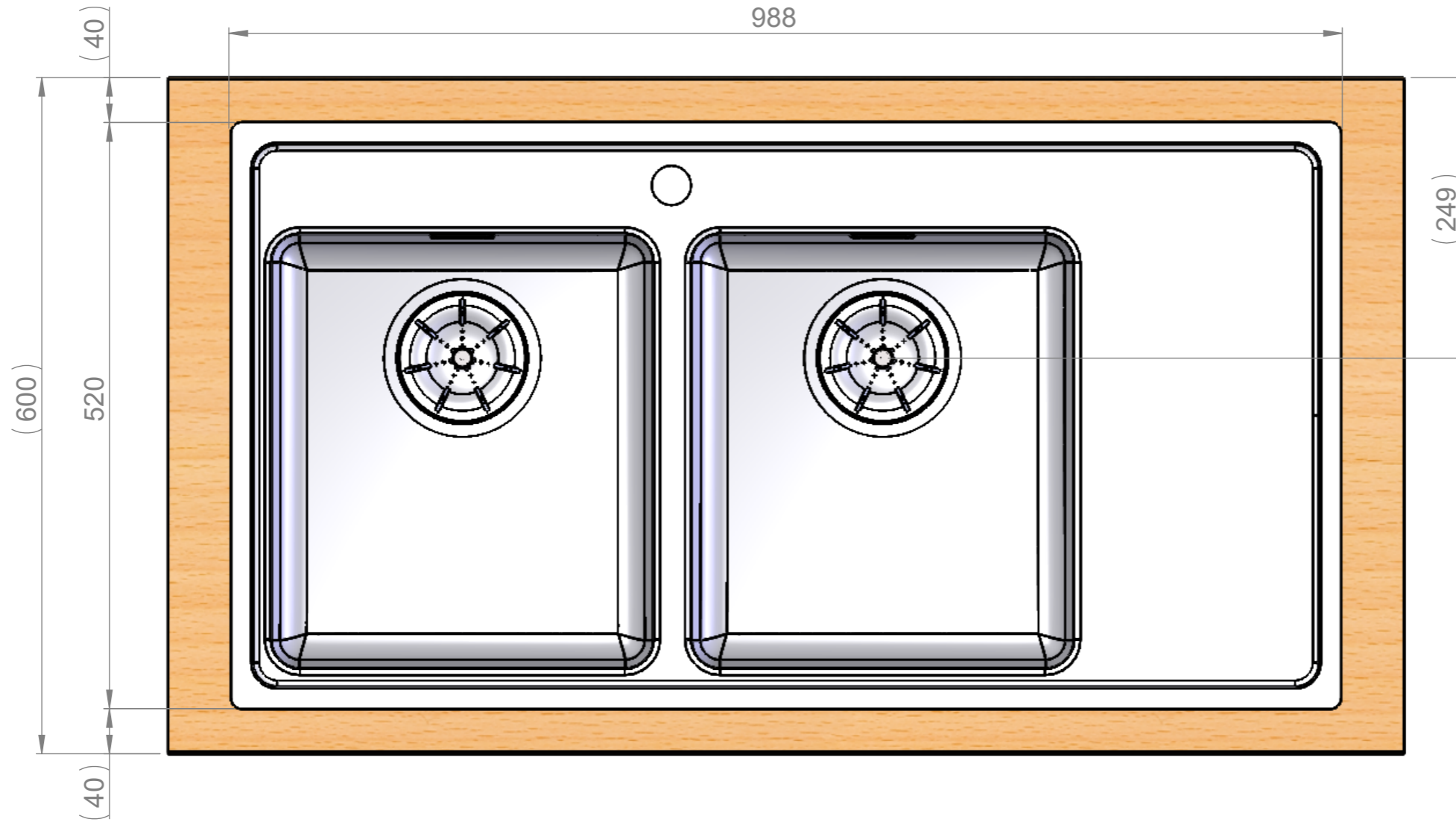
	Mass	kg	General tolerance	Designed by	Date
	Size	A3	Scale	PJ	03.03.2023
	Scale	1:5	Item	Approved by	Date
			ONE-TDR34-34	VS	10.08.2023
 Member of ALVEUS			Description	Drawing number	Sheet/sheets
			ONE-TDR34-34	19615	1/6
			Technical Data Sheet	Rev	A

WORKTOP ASSEMBLY

Change description

Date

Designed by



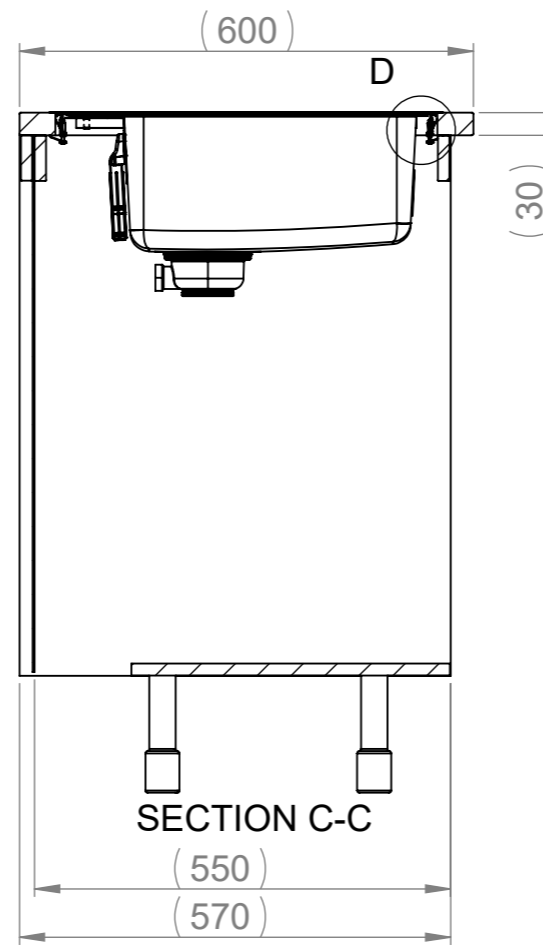
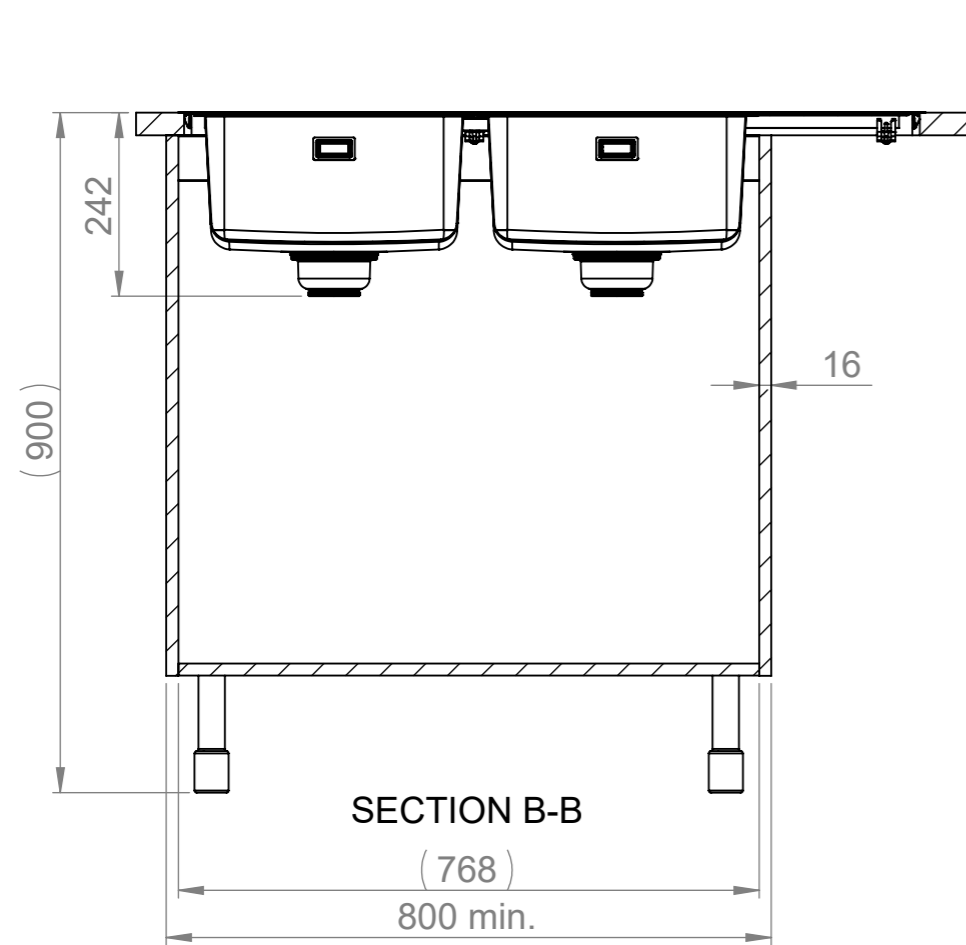
	Mass	kg	General tolerance	Designed by	Date
	Size	Scale	Item	PJ	03.03.2023
 Member of ALVEUS	A3	1:5	Description	Approved by	Date
			ONE-TDR34-34	VS	10.08.2023
			Technical Data Sheet	Drawing number	Sheet/sheets
			19615	2/6	Rev
				A	

SPACE REQUIREMENTS

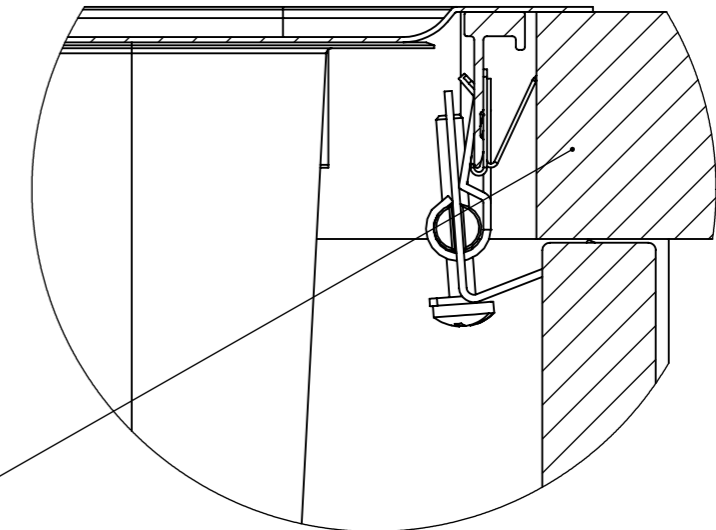
Change description

Date

Designed by



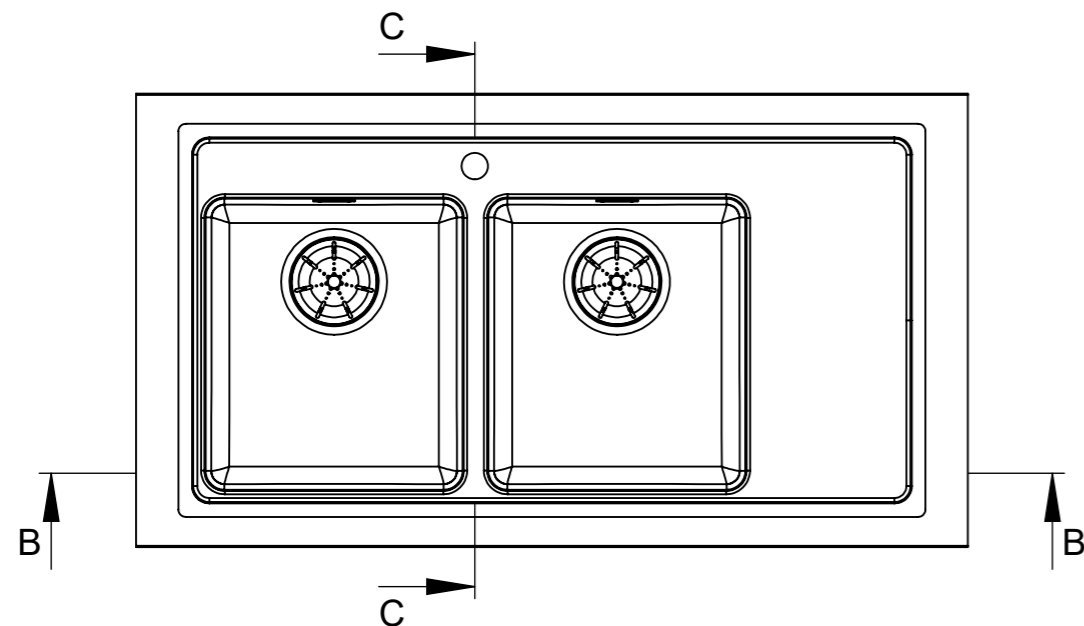
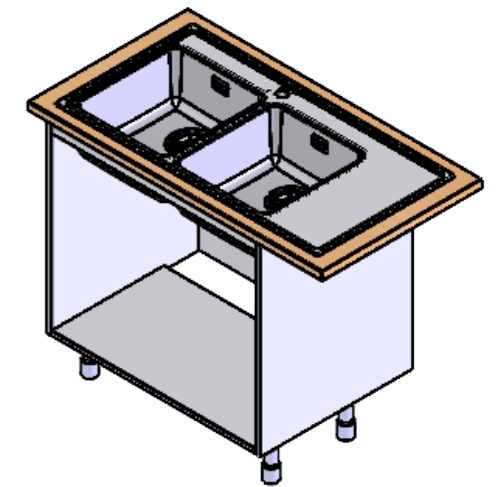
DETAIL D
SCALE 1 : 1



Huom!
Tarvittaessa kaapin väliseinää ja etu/takalistaa lovetettava kiinnikkeitä varten ja pesuallas on kiinnitettävä ennen työtason asennusta.

Obs!
Vid behov måste en inskärning för hofästena göras i skåpets mellanvägg och förbindningslist och diskbänken måste fästas innan du monterar bänkskivan.

Notice!
The partition walls and front/back list of the cupboard must be notched for the sink mountings when needed and the sink must be fastened before installing the worktop.



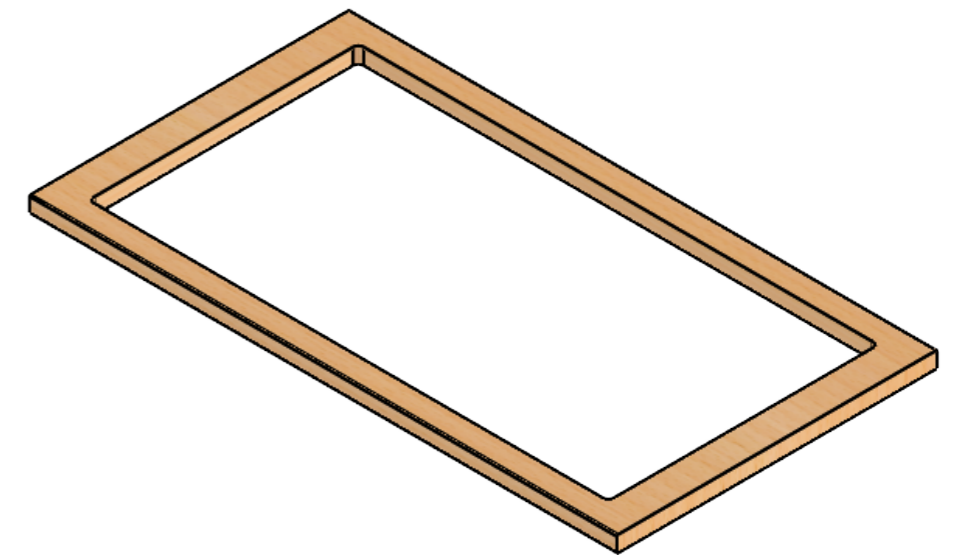
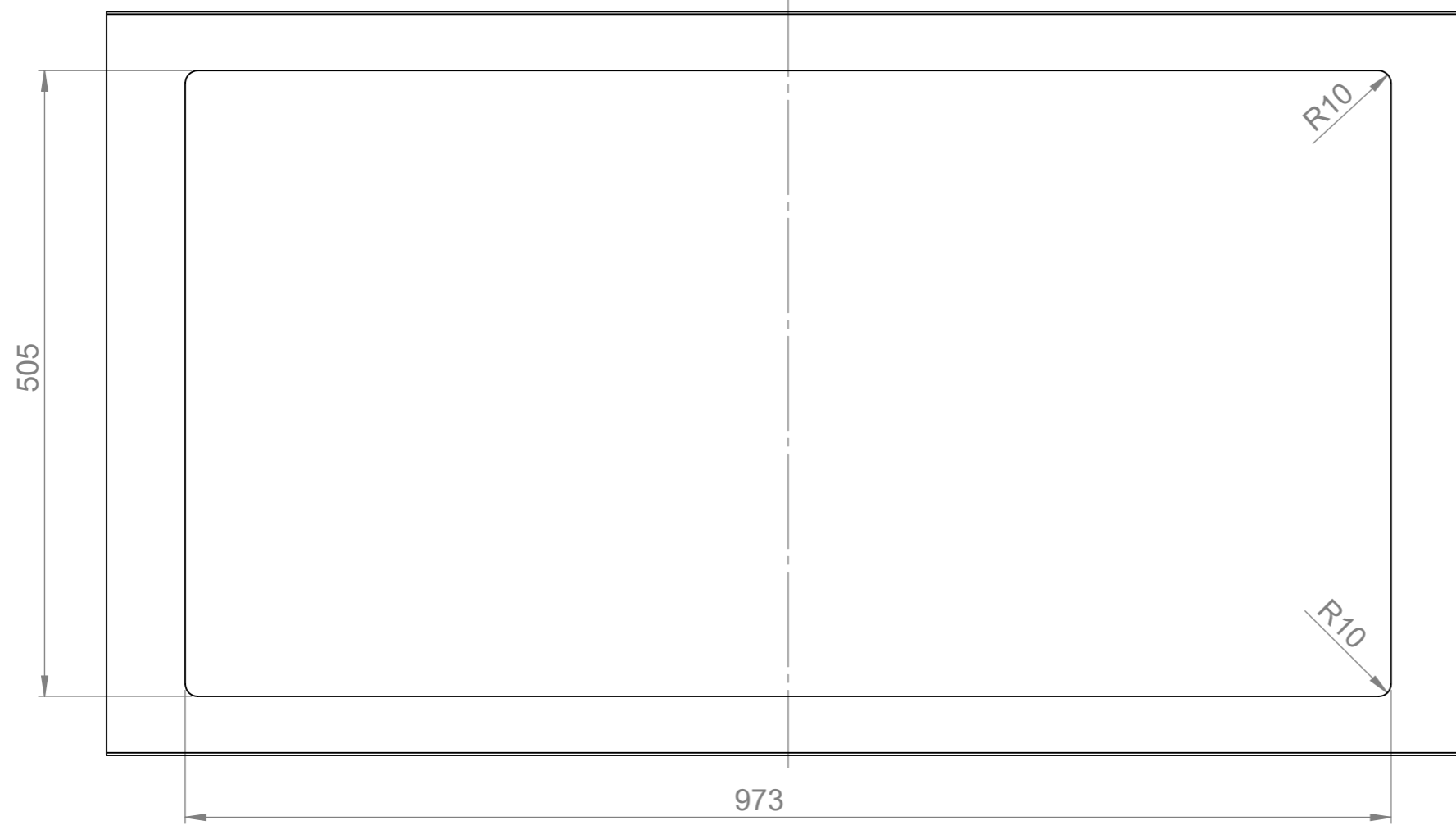
	Mass	kg	General tolerance	Designed by	Date
	Size	Scale	Item	PJ	03.03.2023
	A3	1:10	Description	Approved by	Date
	ONE-TDR34-34	VS	10.08.2023	Sheet/sheets	3/6
Member of ALVEUS	Technical Data Sheet		19615	Drawing number	Rev
					A

CUT-OUT

Change description

Date

Designed by



	Mass	kg	General tolerance	Designed by	Date
	Size	Scale	Item	PJ	03.03.2023
	A3	1:5	Description	Approved by	Date
	Member of	ALVEUS	ONE-TDR34-34	VS	10.08.2023
			Technical Data Sheet	Drawing number	Sheet/sheets
				19615	4/6
				Rev	A

