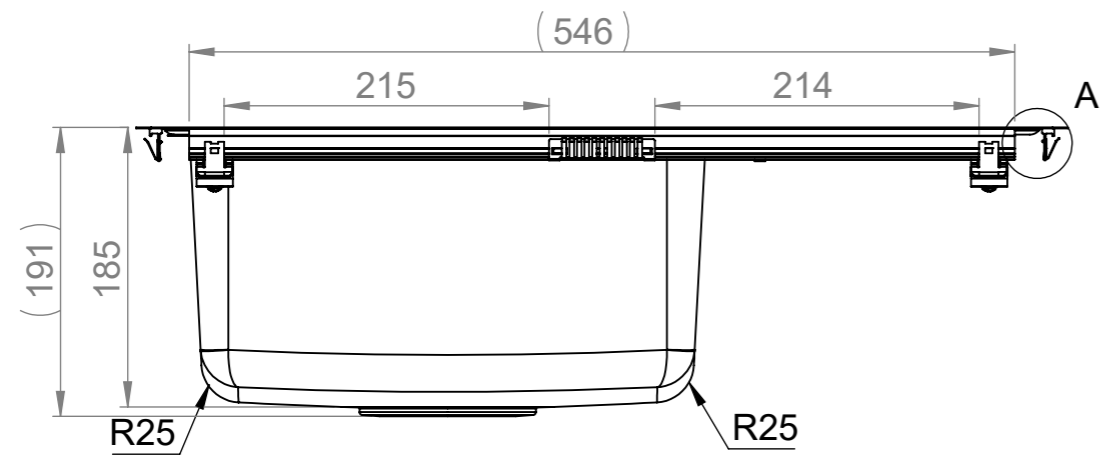


MAIN DIMENSIONS

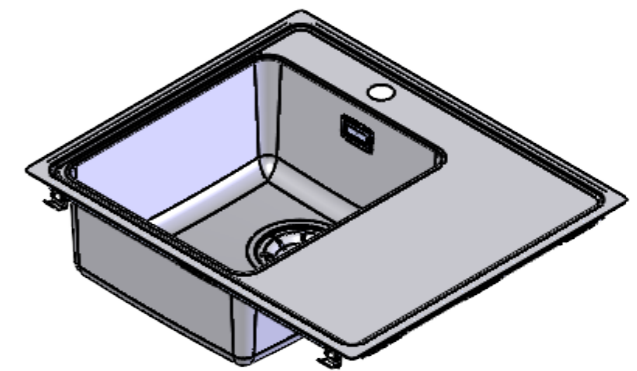
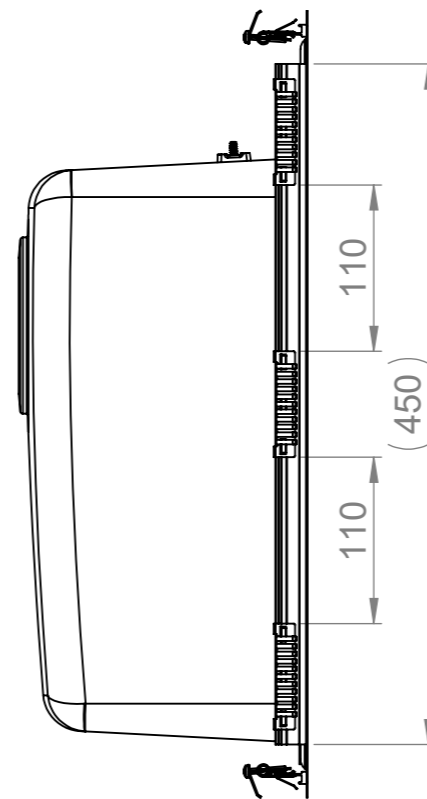
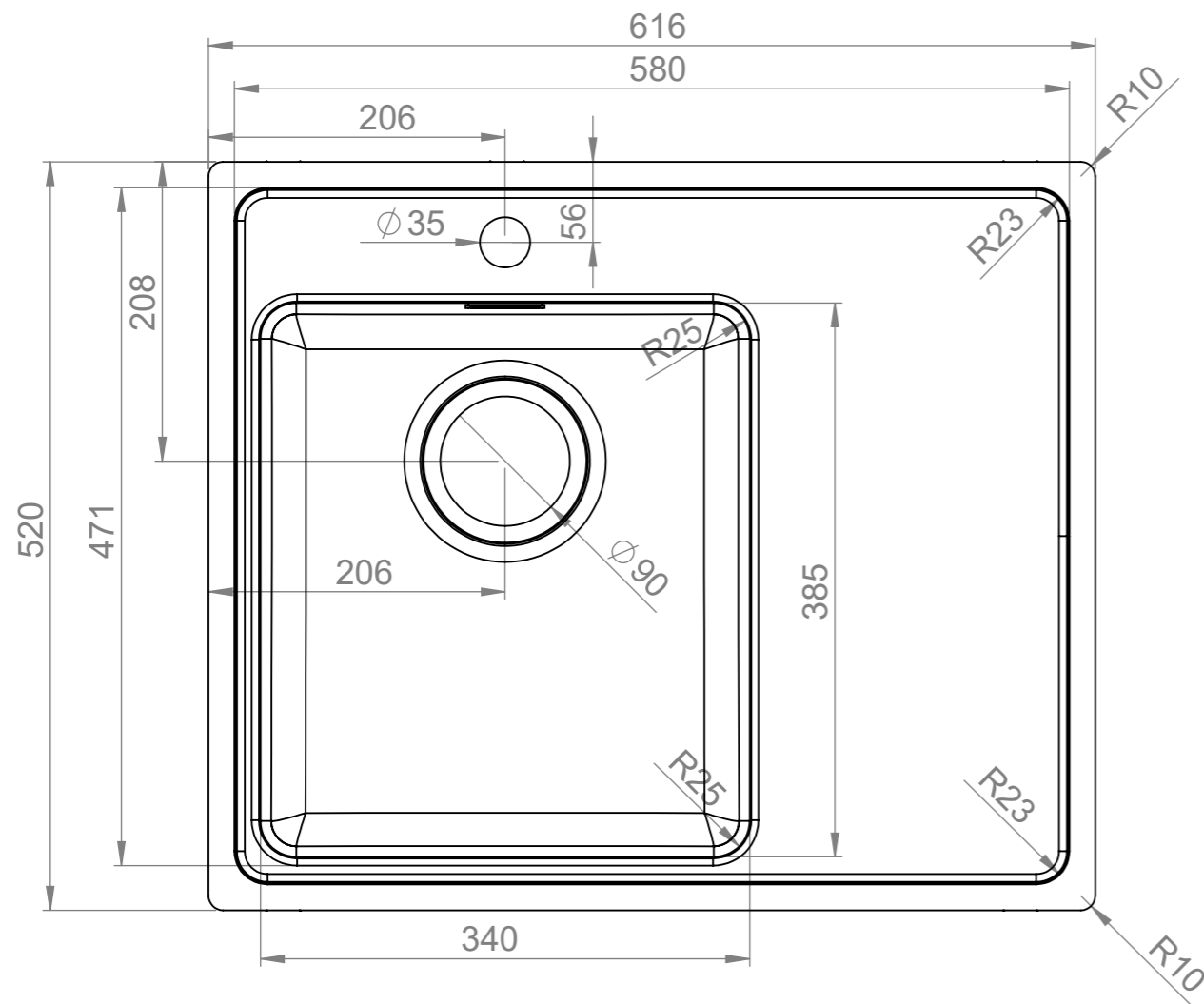
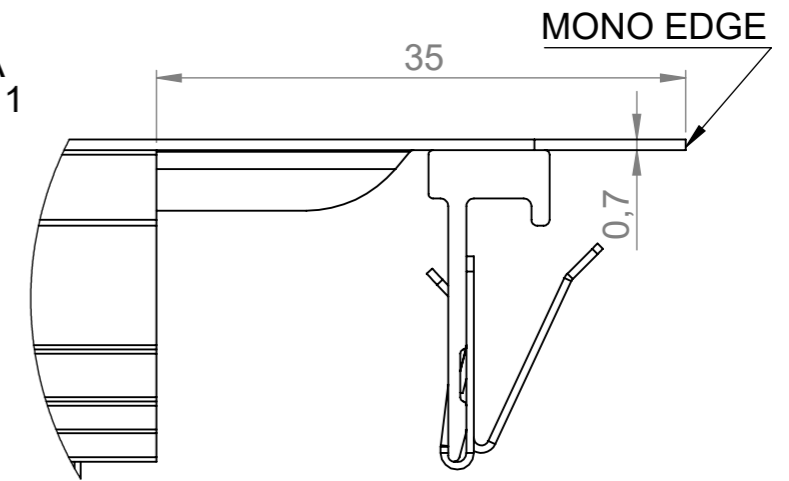
Change description

Date

Designed by



DETAIL A
SCALE 2 : 1



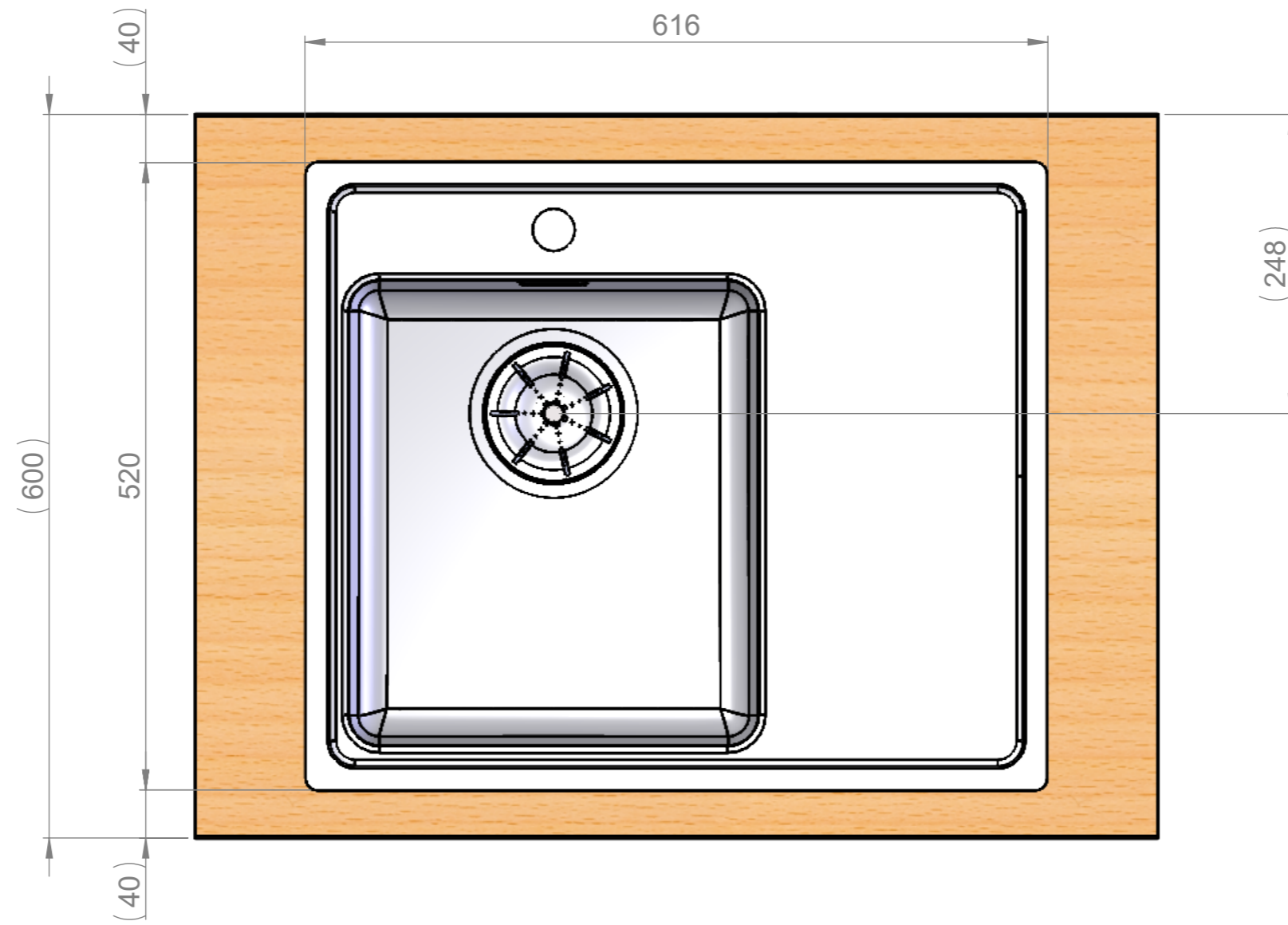
	Mass	kg	General tolerance	Designed by	PJ	Date	03.03.2023	
	Size	A3		Scale	1:5	Item	Approved by	VS
			ONE-TDR34 Technical Data Sheet		Description		Drawing number 19604	Sheet/sheets 1/6
Member of							Rev A	

WORKTOP ASSEMBLY

Change description

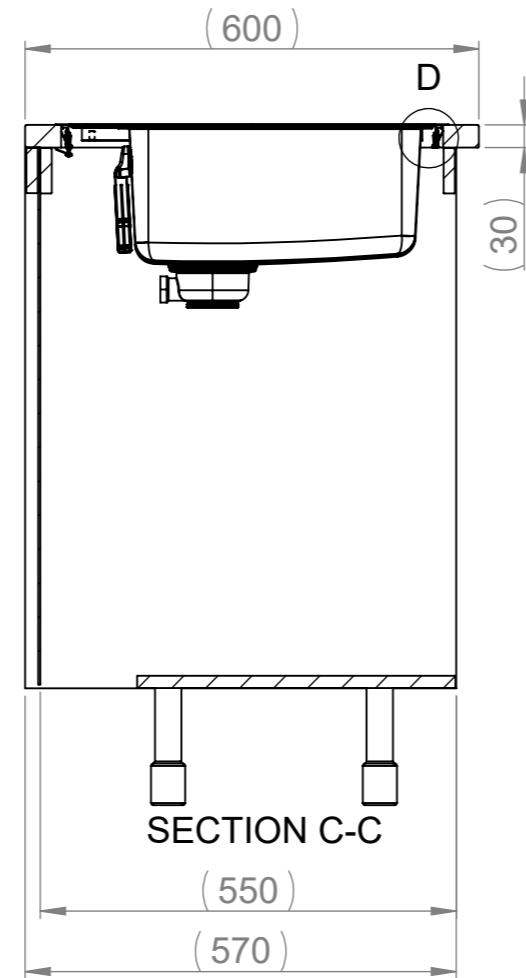
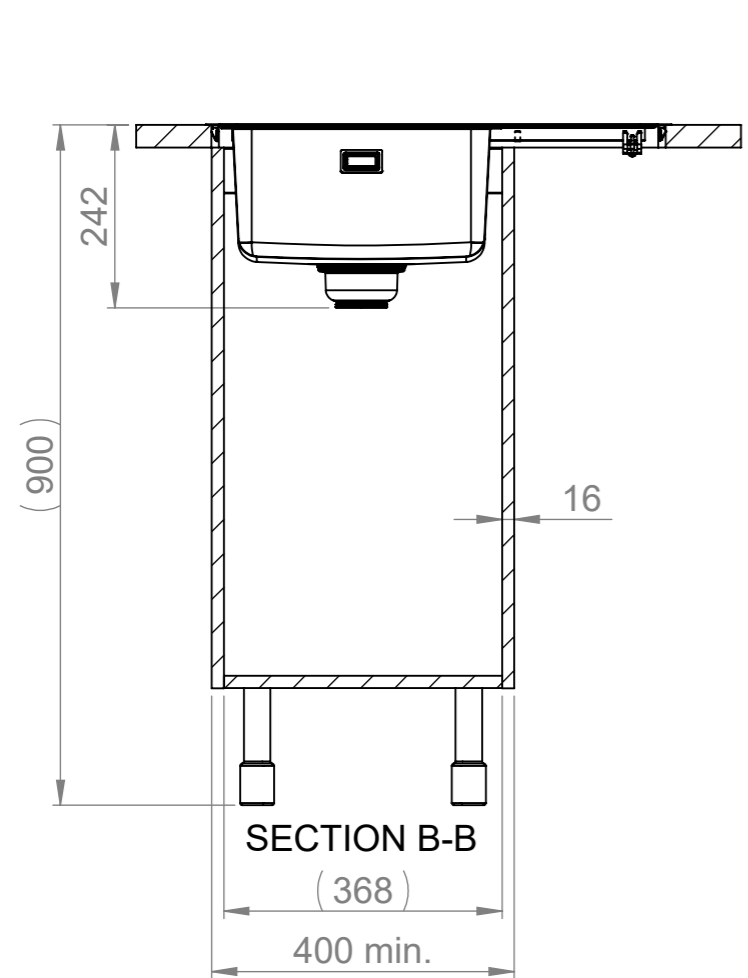
Date

Designed by

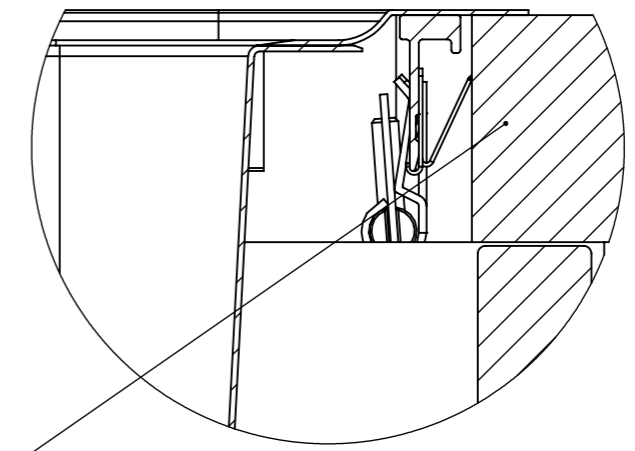


	Mass	kg	General tolerance	Designed by	Date
	Size	Scale	Item	PJ	03.03.2023
 Member of	A3	1:5	Description	Approved by	Date
			ONE-TDR34	VS	09.08.2023
			Technical Data Sheet	Drawing number	Sheet/sheets
			19604	2/6	Rev
				A	

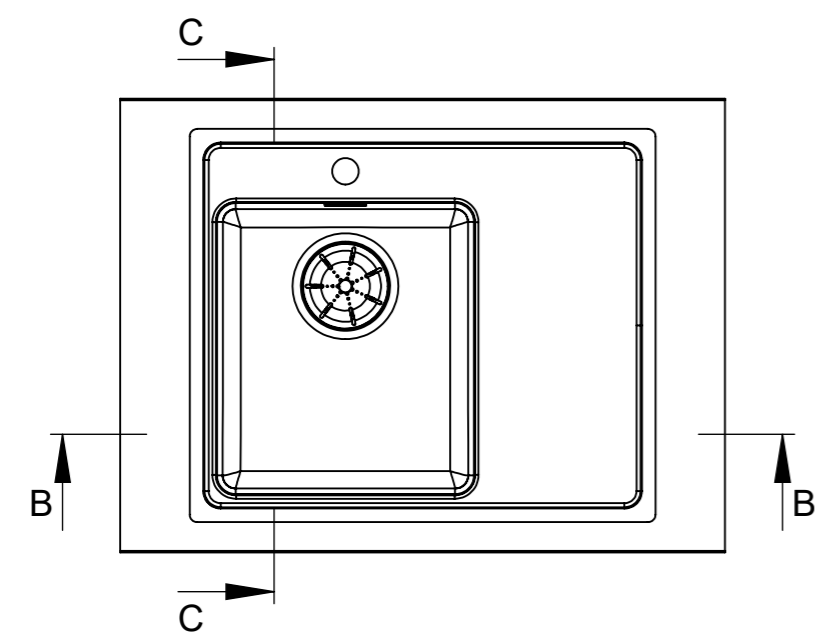
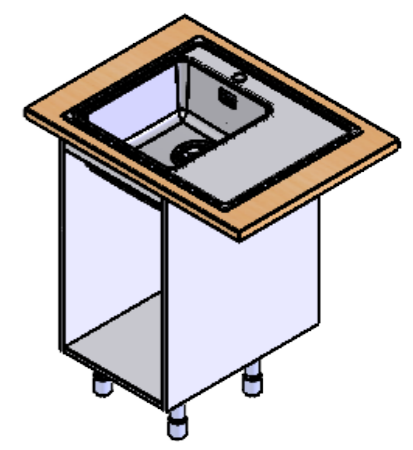
SPACE REQUIREMENTS



DETAIL D
SCALE 1 : 1

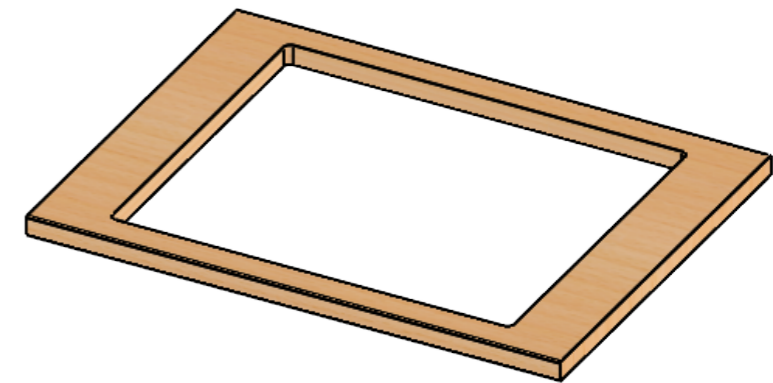
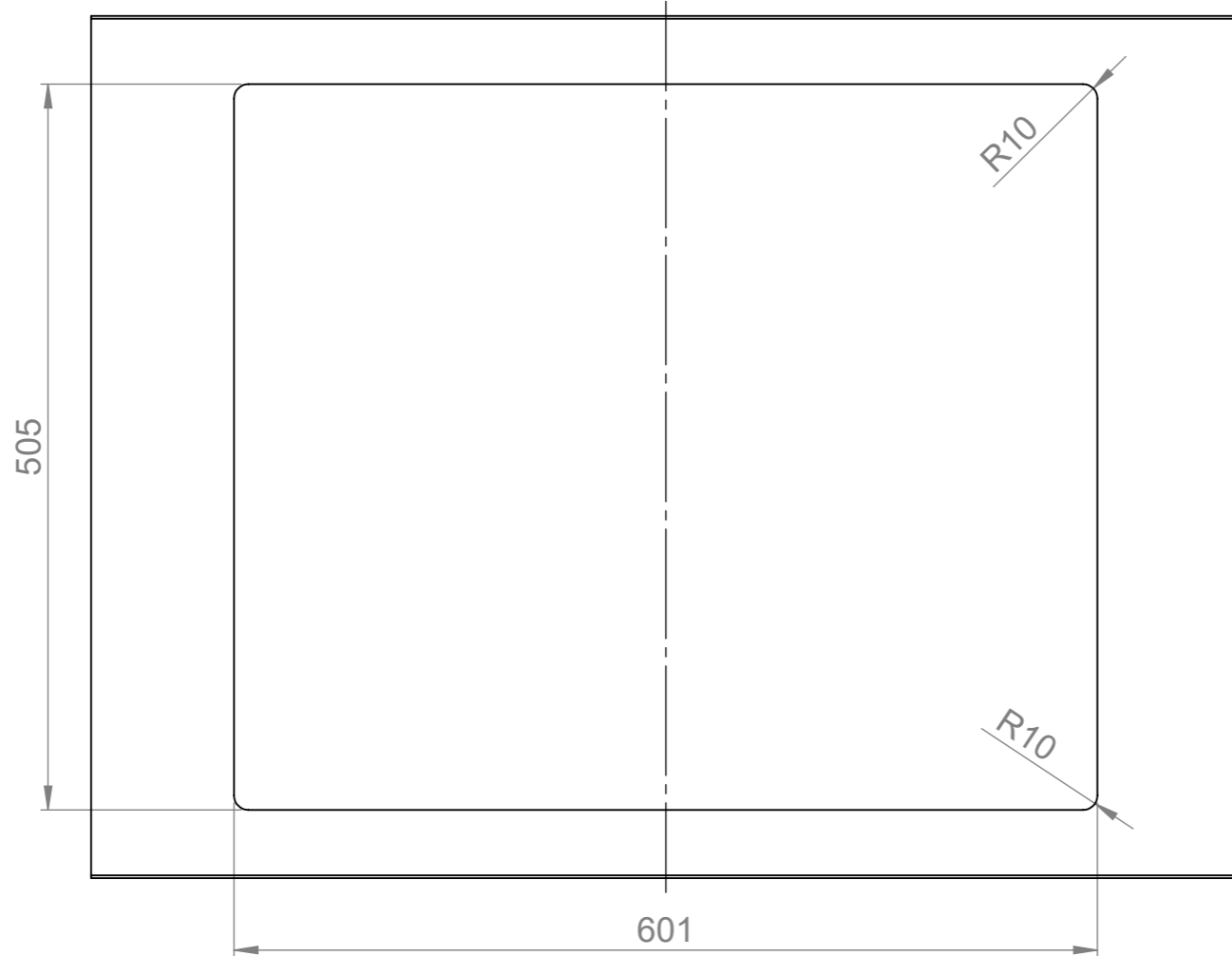


Huom!
Tarvittaessa kaapin väliseinää ja etu/takalistaa lovetettava kiinnikkeitä varten ja pesuallas on kiinnitettävä ennen työtason asennusta.
Obs!
Vid behov måste en inskärning för hofästena göras i skåpets mellanvägg och förbindningslist och diskbänken måste fästas innan du monterar bänkskivan.
Notice!
The partition walls and front/back list of the cupboard must be notched for the sink mountings when needed and the sink must be fastened before installing the worktop



	Mass	kg	General tolerance	Designed by	Date
	Size	Scale	Item	PJ	03.03.2023
 Member of ALVEUS	A3	1:10	Description	Approved by	Date
	ONE-TDR34		VS	VS	09.08.2023
	Technical Data Sheet		Drawing number	19604	Sheet/sheets
				Rev	A

CUT-OUT



Change description						Date	Designed by
--------------------	--	--	--	--	--	------	-------------

	Mass	kg	General tolerance	Designed by	Date
	Size	Scale	Item	Approved by	Date
			Description	Drawing number	Sheet/sheets
Member of			ONE-TDR34	19604	4/6
Technical Data Sheet				Rev	A

